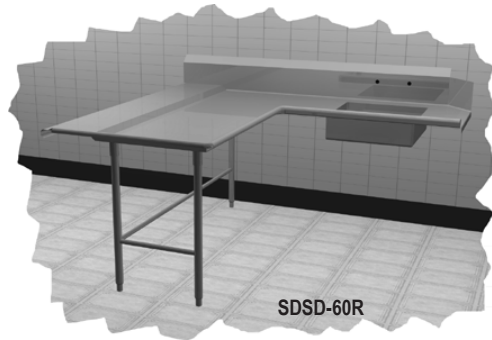




Specifications

F.O.B Sedalia, Missouri 65301



SDSD-60R

MODIFICATIONS

- 12" X 15" disp. control bracket w/V.B. holes in splash - **SK-63**
- Installation of disposer collar (collar by others) - **SK-15**
- Flanged feet - **SK-19**
- Stainless steel welded leg assembly (H-frame) - units 120" and longer to have 2 - **SK-22**
- Scrap block installed - **SK-34**
- Stainless steel sink cover - **SK-13**
- Stainless steel perforated basket with welded slide rail - **SK-57**
- Stainless steel welded lengthwise crossrail - **SK-58**
- Stainless steel rack slide - **SK-59**
- 5" x 7" disp. switch bracket w/V.B holes in splash - **SK-62**
- 18 gauge stainless steel removable undershelf - **SK-18**

- | | |
|------------------------------------|------------------------------------|
| <input type="checkbox"/> DTUDSS-18 | <input type="checkbox"/> DTUDSS-54 |
| <input type="checkbox"/> DTUDSS-24 | <input type="checkbox"/> DTUDSS-66 |
| <input type="checkbox"/> DTUDSS-30 | |
| <input type="checkbox"/> DTUDSS-42 | |

SPECIAL MODIFICATIONS:

Special modification may be added. Consult Accessories and Modifications specification sheet.

AGENCY LISTING:



DUKE MANUFACTURING CO.
2305 N. Broadway
St. Louis, MO 63102

800.735.3853 Toll Free
314.231.1130 In Missouri
314.231.5074 Fax
www.dukemfg.com

Approval Stamp(s):

PRODUCT INFORMATION:

PROJECT: _____
ITEM: _____
QUANTITY: _____

MODEL:

Duke Dishtables - Dishlanding Soil

<u>Supreme / 14 ga</u>	<u>Deluxe / 16 ga</u>	<u>Length</u>
<input type="checkbox"/> SDSD-48 L or R	<input type="checkbox"/> DDSD-48 L or R	48" length unit
<input type="checkbox"/> SDSD-60 L or R	<input type="checkbox"/> DDSD-60 L or R	60" length unit
<input type="checkbox"/> SDSD-72 L or R	<input type="checkbox"/> DDSD-72 L or R	72" length unit
<input type="checkbox"/> SDSD-96 L or R	<input type="checkbox"/> DDSD-96 L or R	96" length unit
<input type="checkbox"/> SDSD-120 L or R	<input type="checkbox"/> DDSD-120 L or R	120" length unit

L - Left side of dishwasher / R - Right Side of dishwasher

Supreme - Dishlanding - Soil - Dishtable

TOP:

- 14 gauge, 300 Series stainless steel
- 1-1/4" rolled rim - 2-1/2" high on front and side
- 10" rear splash - turned up 8", returned to wall
- 2" high on 45° angle with 1" turn down

BOWL:

- 14 gauge, 300 Series stainless steel
- 20-1/2" x 20-1/2" x 5" deep

UNDERBRACING:

- 12 gauge angle on 24" centers

LEGS:

- 16 gauge stainless steel - 1-5/8" OD tubing
- Stainless steel gusset
- 1" adjustable stainless steel bullet feet

CROSSRAILS:

- 16 gauge stainless steel - 1-1/4" OD tubing
- Welded to legs

Deluxe - Dishlanding - Soil - Dishtable

TOP:

- 16 gauge, 300 Series stainless steel
- 1-1/4" rolled rim - 2-1/2" high on front and side
- 10" rear splash - turned up 8", returned to wall
- 2" high on 45° angle with 1" turn down

BOWL:

- 16 gauge, 300 Series stainless steel
- 20-1/2" x 20-1/2" x 5" deep

UNDERBRACING:

- 12 gauge angle on 24" centers

LEGS:

- 16 gauge stainless steel - 1-5/8" OD tubing
- Stainless steel gusset
- 1" adjustable stainless steel bullet feet

CROSSRAILS:

- 16 gauge stainless steel - 1-1/4" OD tubing
- Welded to legs

DISHLANDING: - FOR SUPREME & DELUXE

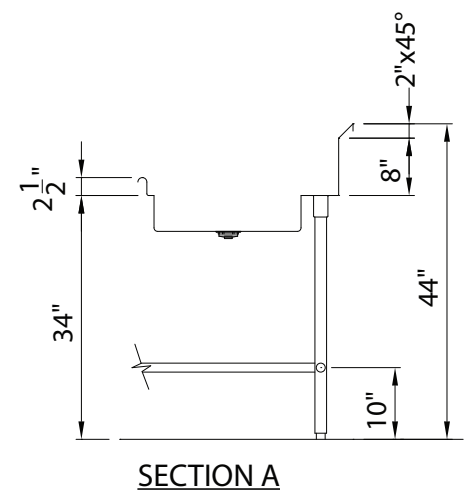
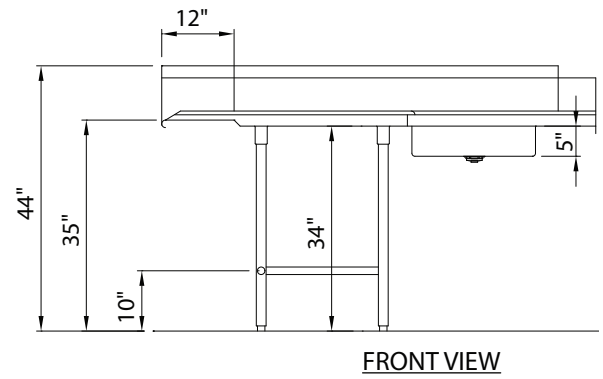
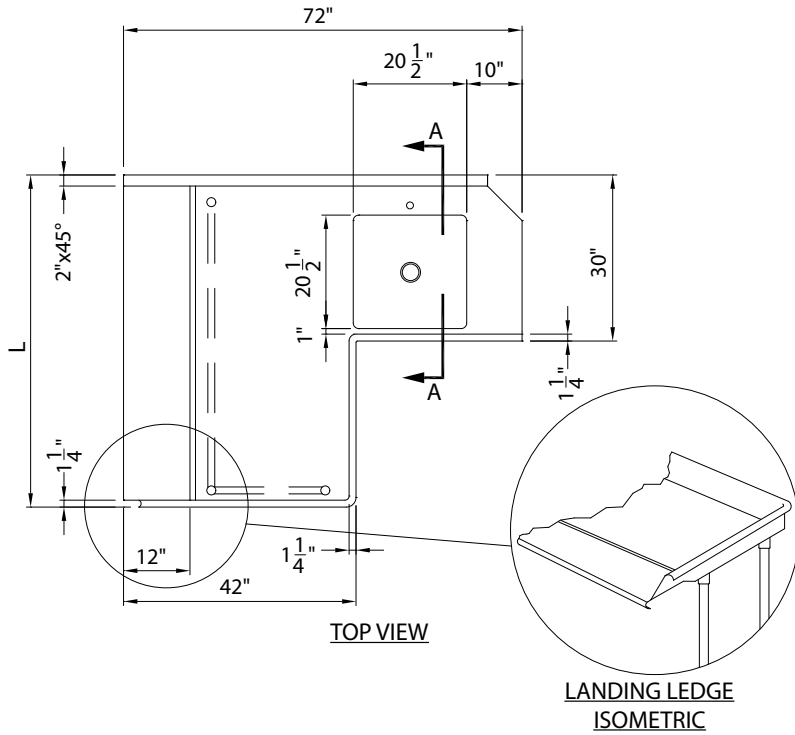
- 12" wide ledge - 1-1/4" rolled edge front
- 1" turndown on 45°



DUKE DISHTABLES - SOIL - DISHLANDING

- | <u>Supreme / 14 ga</u> | | <u>Deluxe / 16 ga</u> | | <u>Length</u> |
|--------------------------|-----------------|--------------------------|-----------------|------------------|
| <input type="checkbox"/> | SDSD-48 L or R | <input type="checkbox"/> | DDSD-48 L or R | 48" length unit |
| <input type="checkbox"/> | SDSD-60 L or R | <input type="checkbox"/> | DDSD-60 L or R | 60" length unit |
| <input type="checkbox"/> | SDSD-72 L or R | <input type="checkbox"/> | DDSD-72 L or R | 72" length unit |
| <input type="checkbox"/> | SDSD-96 L or R | <input type="checkbox"/> | DDSD-96 L or R | 96" length unit |
| <input type="checkbox"/> | SDSD-120 L or R | <input type="checkbox"/> | DDSD-120 L or R | 120" length unit |

L - Left side of dishwasher / R - Right Side of dishwasher



DIMENSIONS:

Freight Class: 85

Model	"L" Size		Width (front to back)		Height		Cube ft. Crated	Weight	
	in.	cm	in.	cm	in.	cm		lbs.	kg
SDSD-48 L or R / DDSD-48 L or R	48 x 42	121.9 x 106.7	42	106.7	34	86.4	99.8	180	88.8
SDSD-60 L or R / DDSD-60 L or R	60 x 42	152.4 x 106.7	42	106.7	34	86.4	121.9	205	93.2
SDSD-72 L or R / DDSD-72 L or R	72 x 42	182.9 x 106.7	42	106.7	34	86.4	144.1	230	104.6
SDSD-96 L or R / DDSD-96 L or R	96 x 42	243.8 x 106.7	42	106.7	34	86.4	188.4	255	115.9
SDSD-120 L or R / DDSD-120 L or R	120 x 42	304.8 x 106.7	42	106.7	34	86.4	232.8	305	138.6



DUKE MANUFACTURING CO.
 2305 N. Broadway
 St. Louis, MO 63102

800.735.3853 Toll Free
 800.231.1130 In Missouri
 314.231.5074 Fax
www.dukemfg.com

Specification subject to change

01/10
 Printed in U.S.A
 © 2010, Duke Manufacturing Co.