



Specifications

F.O.B St. Louis, Missouri 63102



59-E4
(Shown w/optional casters)

OPTIONS:

- Stainless steel interior
- 4" or 6" stainless legs
- 8", 27" stainless angular legs
- Casters
- Stainless steel open base with rack guides
- Oven racks
- 8' or 11' cord and plug with receptacle
- High voltage (380/415/440/480)
- Pulse Fan option ("XX" & "ZZ" controls only)
- Extended warranty
- Optional shelf for leg stand

AGENCY LISTINGS:



DUKE MANUFACTURING CO.
2305 N. Broadway
St. Louis, MO 63102

800.735.3853 Toll Free
314-231-1130 In Missouri
314.231.5074 Fax
www.dukemfg.com

Approval Stamp(s):

PRODUCT INFORMATION:

PROJECT: _____
ITEM: _____
QUANTITY: _____

MODEL:

Duke Convection Ovens Half Size - Electric - Double Section

- 59-E4** 8.0 KW input per section

STANDARD FEATURES:

- 5 racks/9 rack positions per oven
- Porcelain interior finish
- Single hinged door/door glass/reversible door hinging
- 16" stainless steel legs

OVEN SECTION:

- Stainless steel front, sides and top
- 1" insulation on bottom, sides and back
- 3" insulation on top

OVEN CONTROLS:

- "V" - Basic snap action thermostat (200° - 500°F), 60 minute electric dial timer with continuous sounding buzzer, 2-speed fan
- "XX" - Solid state digital time and temperature controls, 12-hour countdown timer, **Cook and Hold** feature, 2-speed fan, Pulse fan capability
- "ZZ" - 10 programmable menu buttons, 5-rack ID timers, computerized digital time and temperature controls, Cook and Hold feature, 2-speed fan, Pulse Fan capacity

SHORT FORM SPECIFICATIONS:

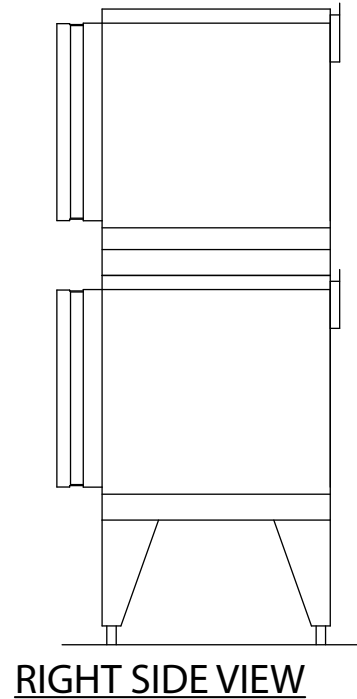
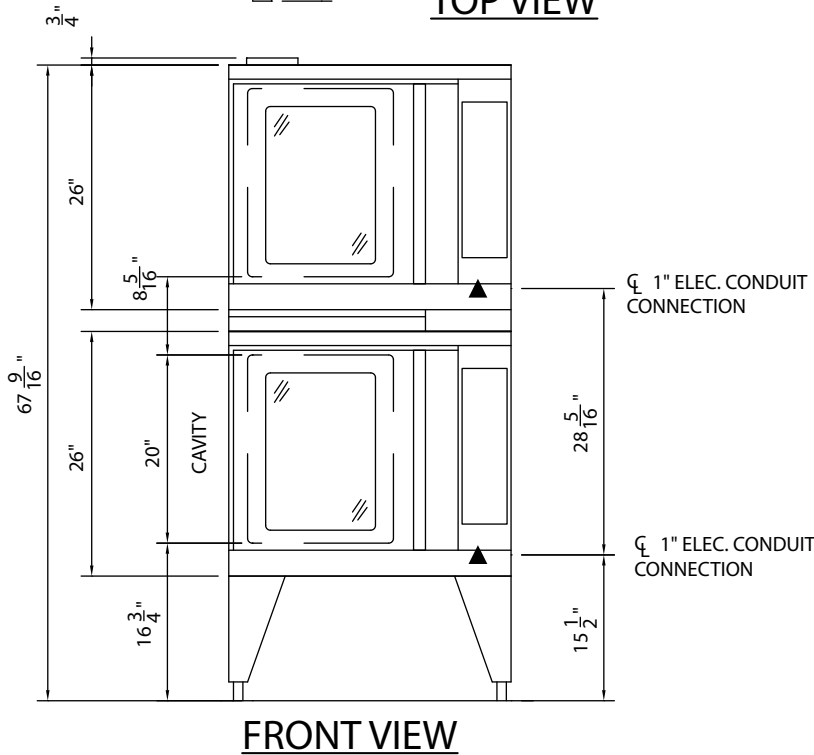
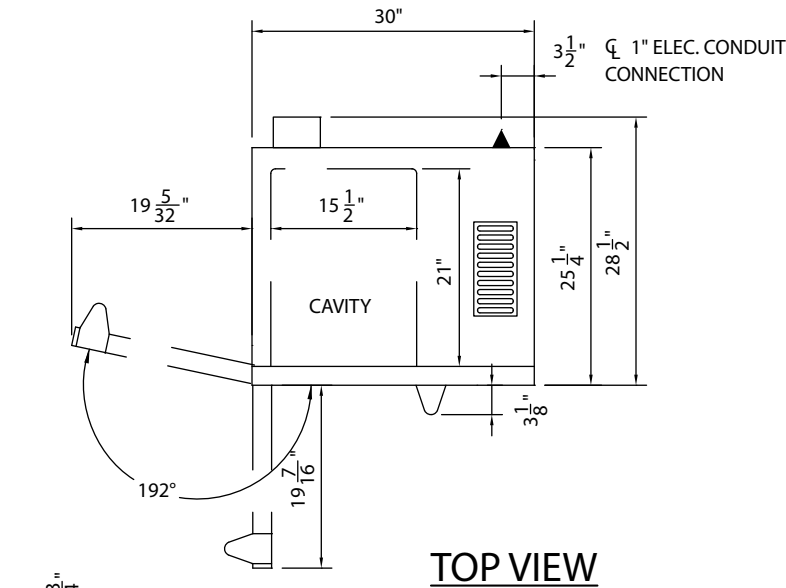
Duke Convection Ovens - Half Size - Electric - Double Section.
Front, sides, top, door, interior door liner and door gaskets shall be constructed of stainless steel. Porcelain interior finish, with 5 racks and 9 rack positions shall be standard. Single hinged door with door glass and field reversible door hinging. Hinged on oil impregnated bronze bushings. Unit shall be standard on 16" stainless steel legs. Bottom, sides and back shall be fully insulated with 1" thick insulation, top to have 3" thick insulation. 59-E4 shall have 8.0 KW input, ON-OFF-COOL DOWN switch and be fused to protect against overload. A two-speed, 1/2HP blower motor shall be standard.

**DUKE CONVECTION OVENS - DBC-2E
HALF SIZE - ELECTRIC - DOUBLE SECTION**

□ **59-E4** 8.0 KW input per section

Electrical Specifications - Per Section			
	208V Amps	240V Amps	KW
1 Phase	40.0	35.0	8.0
3 Phase	24.0	21.0	8.0

▲ - Electronic connection point



DIMENSIONS:

FREIGHT CLASS: 85

Model	Depth		Width		Height		Cube ft. crated	Weight	
	in	cm	in.	cm	in.	cm		lbs	kg
59-E4	25-1/4	64.1	30	76.2	68-1/4	165.7	36.3	530	241.0



DUKE MANUFACTURING CO.
2305 N. Broadway
St. Louis, MO 63102

800.735.3853 Toll Free
800.231.1130 In Missouri
314.231.5074 Fax
www.dukemfg.com

Specification subject to change

01/10
Printed in U.S.A
© 2010, Duke Manufacturing Co.