



# Specifications

F.O.B St. Louis, Missouri 63102



59-E3

### OPTIONS:

- Stainless steel interior
- 4" or 6" stainless legs
- 8", 16", 27" stainless angular legs
- Casters
- Stainless steel open base with rack guides
- Oven racks
- 8' or 11' cord and plug with receptacle
- High voltage (380/415/440/480)
- Pulse Fan option ("XX" & "ZZ" controls only)
- Baking station stand on casters (59-BS)
- Proofer base (PFB-1)
- Extended warranty
- Optional shelf for leg stand

### AGENCY LISTINGS:



**DUKE MANUFACTURING CO.**  
2305 N. Broadway  
St. Louis, MO 63102

800.735.3853 Toll Free  
314-231-1130 In Missouri  
314.231.5074 Fax  
www.dukemfg.com

### Approval Stamp(s):

#### PRODUCT INFORMATION:

PROJECT: \_\_\_\_\_  
ITEM: \_\_\_\_\_  
QUANTITY: \_\_\_\_\_

#### MODEL:

### Duke Convection Ovens Single Section - Half Size - Electric

**59-E3** 8.0 KW input per section

#### STANDARD FEATURES:

- 5 racks/9 rack positions per oven
- Porcelain interior finish
- Single hinged door/door glass/reversible door hinging
- 4" plastic legs

#### OVEN SECTION:

- Stainless steel front, sides and top
- 1" insulation on bottom, sides and back
- 3" insulation on top

#### OVEN CONTROLS:

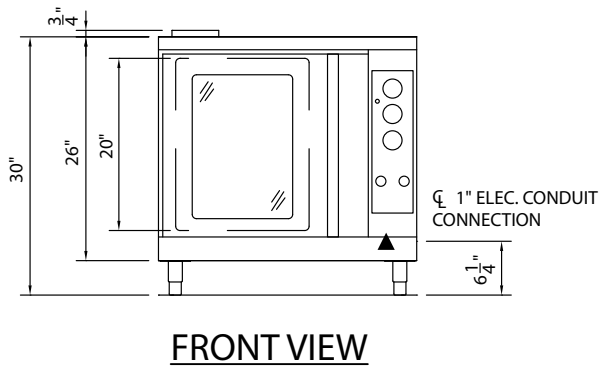
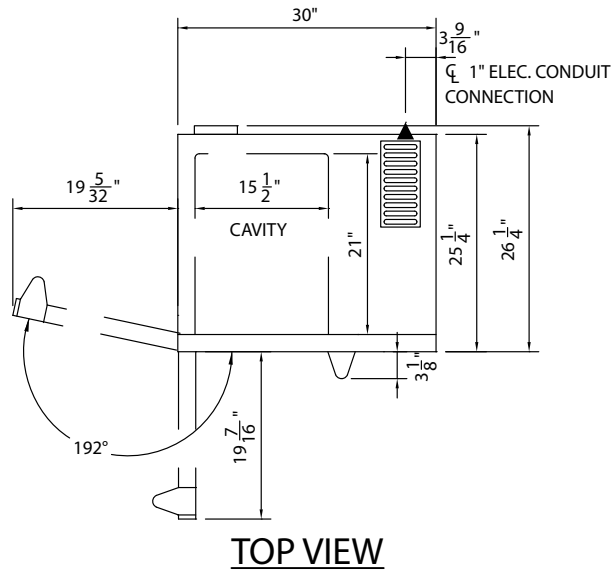
- "V" - Basic snap action thermostat (200° - 500°F), 60 minute electric dial timer with continuous sounding buzzer, 2-speed fan
- "XX" - Solid state digital time and temperature controls, 12-hour countdown timer, **Cook and Hold** feature, 2-speed fan, Pulse fan capability
- "ZZ" - 10 programmable menu buttons, 5-rack ID timers, computerized digital time and temperature controls, Cook and Hold feature, 2-speed fan, Pulse Fan capacity

#### SHORT FORM SPECIFICATIONS:

**Duke Convection Ovens - Half Size - Electric - Single Section.**  
Front, sides, top, door, interior door liner and door gaskets shall be constructed of stainless steel. Porcelain interior finish, with 5 racks and 9 rack positions shall be standard. Single hinged door with door glass and field reversible door hinging. Hinged on oil impregnated bronze bushings. Unit shall be standard on 4" plastic legs. Bottom, sides and back shall be fully insulated with 1" thick insulation, top to have 3" thick insulation. 59-E3 shall have 8.0 KW input, ON-OFF-COOL DOWN switch and be fused to protect against overload. A two-speed, 1/2HP blower motor shall be standard.

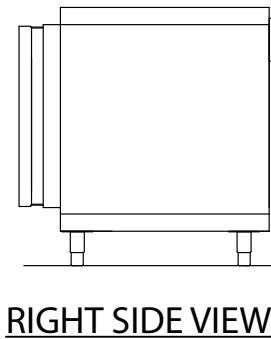
**DUKE CONVECTION OVENS  
HALF SIZE - ELECTRIC - SINGLE SECTION**

□ **59-E3** 8.0 KW input per section



Electrical Specifications - Per Section			
	208V Amps	240V Amps	KW
1 Phase	40.0	35.0	8.0
3 Phase	24.0	21.0	8.0

▲ - Electronic connection point



DIMENSIONS:

FREIGHT CLASS: 85

Model	Depth		Width		Height		Cube ft. crated	Weight	
	in	cm	in.	cm	in.	cm		lbs	kg
59-E3	25-1/4	64.1	30	76.2	30	76.2	24.3	265	120.5



**DUKE MANUFACTURING CO.**  
2305 N. Broadway  
St. Louis, MO 63102

800.735.3853 Toll Free  
800.231.1130 In Missouri  
314.231.5074 Fax  
[www.dukemfg.com](http://www.dukemfg.com)

Specification subject to change

01/10  
Printed in U.S.A  
© 2010, Duke Manufacturing Co.