



Specifications

F.O.B St. Louis, Missouri 63102



613-G3

OPTIONS:

- Stainless steel interior
- 27" stainless steel angular legs
- Open leg base, stainless steel, w/rack guide
- Stainless steel back enclosure panel
- Seismic feet
- Field stacking kit
- 48" flexible disconnect, w/restraining device
- Down draft hood
- Flue deflector
- Casters
- Porcelain drip tray
- Extra oven racks - standard and deep depth
- Prison package - tamper proof screws, lexan hinged cover with lockable clasp
- Extended warranty

AGENCY LISTINGS:



DUKE MANUFACTURING CO.
 2305 N. Broadway
 St. Louis, MO 63102

800.735.3853 Toll Free
 314-231-1130 In Missouri
 314.231.5074 Fax
 www.dukemfg.com

Approval Stamp(s):

PRODUCT INFORMATION:

PROJECT: _____
 ITEM: _____
 QUANTITY: _____

MODEL:

**Duke Convection Ovens
 Single Section - Deep Depth - Gas**

- 613-G3** Single section, deep depth

STANDARD FEATURES:

- 6 racks/13 rack positions
- Porcelain interior finish
- 65/35 stainless steel doors - chain driven
- Double pane glass in 65 door
- 27" angular stainless steel legs/adjustable feet

OVEN SECTION:

- Stainless steel front, sides and top
- 1-1/2" insulation on bottom, sides and back
- 3" insulation on top

OVEN CONTROLS:

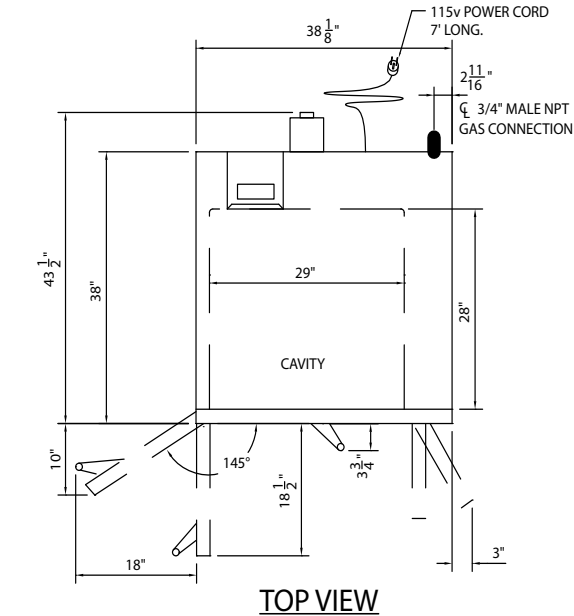
- "V" - Basic snap action thermostat (200° - 500°F), 60 minute electric dial timer with continuous sound buzzer, 2-speed fan
- "XX" - Solid state digital time and temperature controls, 12-hour countdown timer, **Cook and Hold** feature, 2-speed fan, Pulse fan capability

SHORT FORM SPECIFICATIONS:

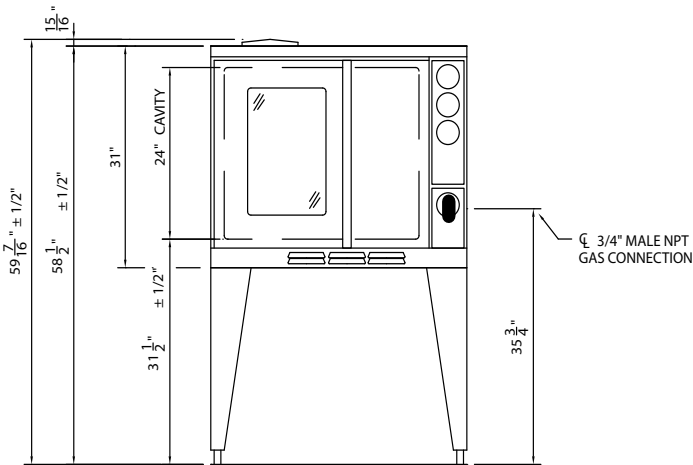
Duke Convection Ovens - Gas - Single Section - Deep Depth.
 Front, sides, top, door, interior door liners and door gaskets shall be constructed of stainless steel. Porcelain interior finish, with 6 racks and 13 rack positions, and 7/8" covered corners. Unit shall have simultaneously opening doors and 27" angular painted legs with adjustable feet. Unit shall have 65/35 stainless steel doors with double pane glass in 65 door. Doors shall be mounted on full length solid steel shafts and bronze bushings. Interior lighting to be (2) 50 watt, 155v bulbs. Bottom, sides and back shall be fully insulated with 1-1/2" thick insulation, top to have 3" thick insulation. Units shall have 46,000 BTU input, electronic pilot relight systems, 1/2 HP two speed blower motor, 115v, ON-OFF-COOL Down switch, manual gas shut-off on control panel. Built-in gas pressure regulator. Overall dimensions of unit shall be: 60" height, including 27" legs, 38" width, depth of 43-1/2" and cavity dimensions of 29"W x 24"H x 28"D.

DUKE CONVECTION OVENS
SINGLE SECTION - GAS - DEEP DEPTH

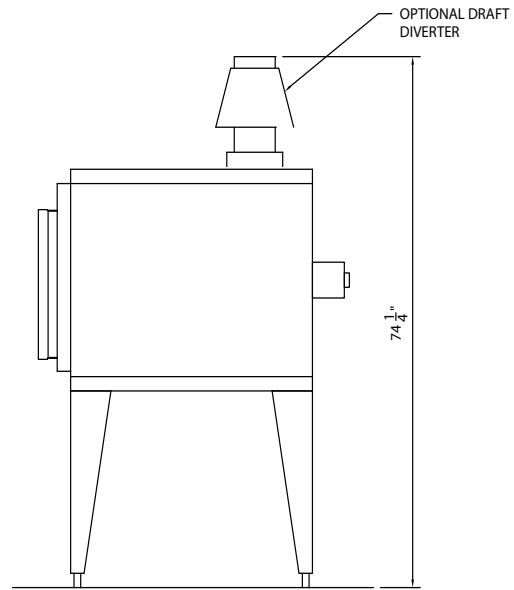
☐ **613-G3** Single section, deep depth



TOP VIEW



FRONT VIEW



RIGHT SIDE VIEW

Gas Specifications	
	BTU/Hour
613-G3	46,000
Regulated gas pressure required 3.5" WC natural /10" WC propane	
Combustible surface clearance - 1" side, 1" rear, 6" floor	
■ - Gas connection	
3/4" Gas connection	
Electrical requirements: 3.5 Amps/ 115V	
Standard 115V units supplied with 5' cord and plug	

DIMENSIONS:

FREIGHT CLASS: 85

Model	Depth front view		Width		Height top view		Cube ft. crated	Weight	
	in	cm	in.	cm	in.	cm		lbs	kg
613-G3	43-1/2	110.5	38	96.5	60	152.4	65.4	540	245.5



DUKE MANUFACTURING CO.
 2305 N. Broadway
 St. Louis, MO 63102

800.735.3853 Toll Free
 800.231.1130 In Missouri
 314.231.5074 Fax
www.dukemfg.com

Specification subject to change

01/10
 Printed in U.S.A
 © 2010, Duke Manufacturing Co.