



Specifications

F.O.B. Sedalia, Missouri 65301



OPTIONS:

- RJ-45 communications connection
- Wireless communications connection
- Clip on drainboards
- Cart mounted salad spinner
- Drop in manual salad spinner
- Drop in electric salad spinner
- Poly cutting board
- Scrap block
- Stainless steel undershelfing
- Table mounted overshelf
- Fit® Fruit and Vegetable Wash Program

DIRECTIONAL FLOW:

- Left to Right
- Right to Left

AGENCY LISTINGS:



DUKE MANUFACTURING CO.
 2305 N. Broadway
 St. Louis, MO 63102

800.735.3853 Toll Free
 314.231-1130 In Missouri
 314.231.5074 Fax
 www.dukemfg.com

Approval Stamp(s):

PRODUCT INFORMATION:

PROJECT: _____
 ITEM: _____
 QUANTITY: _____

MODEL:

X-Green™ Produce Safety System

XGRR

BODY:

- 300 series stainless steel
- 16-gauge stainless tanks and drainboards
- 10" high x 4" deep backsplash
- 1/2" pre-rinse with a 1/2" add at faucet
- Twist handle drain
- Self contained refrigeration (134A) with a stainless steel coil
- 1-5/8" stainless steel cross rails
- Adjustable stainless steel bullet feet
- Fully insulated wash tank and pump
- 2 standard produce baskets
- Produce wash cart
- Fully skirted stainless steel front
- Two piece false bottom

CONTROLS:

- Single point connection with touch screen display
- 4 programmable wash cycles
- Monitor pH levels and automatically injects produce wash solution
- Monitors and adjusts temperature
- Statistical reporting package for traceability
- Plug n' Play components
- Integrated printer for labeling
- Integrated low water detection

PUMPS:

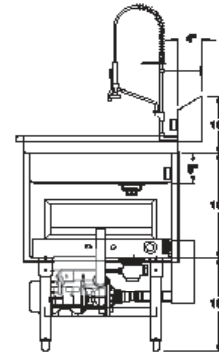
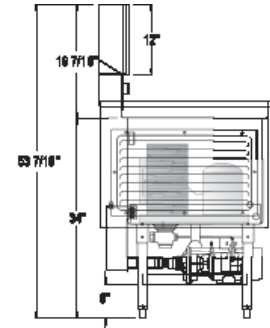
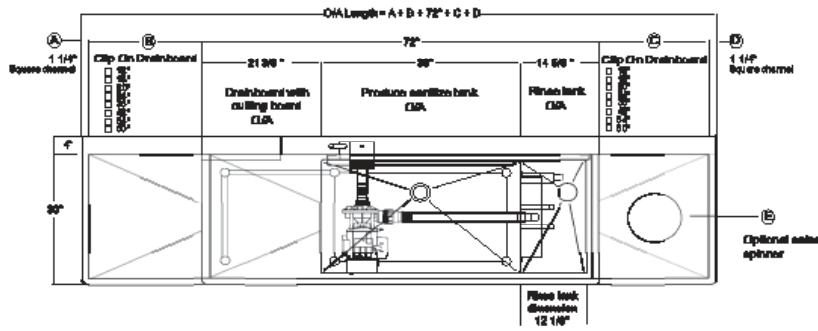
- 1-1/2 H.P. fully enclosed (TEFC) pump
- Inherent motor overload protection with manual reset

SHORT FORM SPECIFICATIONS:

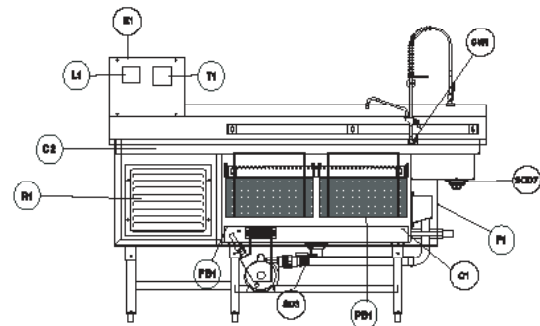
X-Green™ Produce Safety System - Shall be constructed of 300 series stainless steel. The top will consist of 16 gauge with a 10" high x 4" deep backsplash. Wash tank to be 36-1/8" x 22-13/16" x 18" and will be fully insulated and fully skirted. Legs to be constructed of 1-5/8" (.065 wall) stainless steel with fully adjustable feet. Unit to also have self-contained refrigeration (134A) with stainless steel coil. Controls to have touch screen display with pH monitoring, temperature monitoring, integrated label printer and communications reporting package. System to have integrated produce wash injection. Wash pump shall be a 1-1/2 H.P. TEFC motor. The pumps and controller will incorporate Plug n' Play serviceability. System to have a single cold water pre-rinse sprayer head with a 10" add a faucet. Wash tank to have a 2" NPS stainless steel twist handle drain. Each system will included 2 standard produce baskets and produce wash cart.



MODEL:
X-Green™ Produce Safety System
 XGRR



CONNECTION INFORMATION (AFF - ABOVE FINISHED FLOOR)	
LEGEND	
C1	Chemical Feed Connection: (over primary faucet), 1" Dia. hole for hose grommet, 43-7/8" AFF.
E1	Electrical Connection: motors & controls
CW1	Cold Water Connection: Pre-rinse sprayer 1/2" FPT, 36-15/16" AFF
SD3	Sink Drains: 2" NPS
SCD7	Scrapper Drain: 1-1/2" MPT, 25-5/8" AFF
F1	1" Foam Insulation
R1	Self Contained Refrigeration
C2	Removable Cutting Board
L1	Label Printer
T1	Touch Screen Controls
FB1	False Bottom
PB1	Produce Baskets and Lids
All dimensions taken from finished floor line. May increase 3/4" or decrease 1/2" depending on leg adjustment. Recommend 7-3/4" AFF wall drain location.	



X-Green™ System	Elec. Specs	Rated Amps	Minimum supply circuit conductor ampacity	Maximum overcurrent protective device
w/ Refrigeration	220/240/1	20	25	30
w/o Refrigeration	115/120/1	10	15	20



DUKE MANUFACTURING CO.
 2305 N. Broadway
 St. Louis, MO 63102
 800.735.3853 Toll Free
 800.231.1130 In Missouri
 314.231.5074 Fax
 www.dukemfg.com

Specification subject to change

01/11
 Printed in U.S.A
 © 2011, Duke Manufacturing Co.