



Specifications

F.O.B. St. Louis, Missouri 63102



OPTIONS:

- K-5000 Intelligent Control Center
 - Variable speeds with idle mode
 - 5 programmable wash schemes
 - Plug n' Play components
 - Data reporting package (optional)
 - Full self diagnostics
 - 4 languages: English, French, Spanish, Italian
 - Temperature control
 - Integrated low water detection and change water indicator
 - Integrated soap dispensing (optional)
- Data reporting package
- Integrated wash tank soap dispensing
- Backsplash mounted controller
- Utensil basket
- Removable wash tank cover/lid
- Fixed sheet pan rack system - 60" only
- Adjustable sheet pan rack system
- Soap cart
- 5,000 watt wash tank heater
- 7,000 watt wash tank heater
- Sanitize tank heat (K-5000 only)
- Sanitize tank soap dispensing
- Pot and pan rack
- Table mounted overshef
- Stainless steel under shelving

Direction From Soiled to Clean End:

- Left to Right
- Right to Left

AGENCY LISTINGS:



DUKE MANUFACTURING CO.
2305 N. Broadway
St. Louis, MO 63102

800.735.3853 Toll Free
314.231.1130 In Missouri
314.231.5074 Fax
www.dukemfg.com

Approval Stamp(s):

PRODUCT INFORMATION:

PROJECT: _____
ITEM: _____
QUANTITY: _____

MODEL: WAREWASH X-Stream® Wash System

BODY:

- 300 series stainless steel
- 14-gauge stainless tanks and drain boards
- 10" high x 3-1/4" deep backsplash
- 1/2" pre-rinse faucet
- 3/4" fill faucets
- Twist handle drains
- 1-5/8" stainless steel legs with 1-1/4" stainless steel cross rails
- Stainless steel adjustable bullet feet
- Stainless steel front skirting
- Removable multi-sided discharge plates with 22 outlets
- 2,500 watt wash tank heater

CONTROLS (K-1000):

- Single cycle microprocessor control
- Plug n' Play components
- Temperature control
- Integrated low water detection and change water indicator
- Integrated soap dispensing (optional)
- Limited self diagnostics

PUMPS:

- Dual stainless steel pump and impeller
- Self-draining pump system
- Centrifugal pump with 4" diameter intake and 3" diameter outlet
- Two 2 H.P. fully enclosed TEFC wash pump motors with permanently sealed bearings
- Inherent motor overload protection with automatic reset
- Low water protection for wash pump motor

SHORT FORM SPECIFICATIONS:

WAREWASH - X-Stream® Wash System - Shall be constructed of 300 series stainless steel. The top will consist of 14 gauge with a 10" high x 3-1/4" deep backsplash. Wash tank to be 14 gauge stainless steel with 22 wash jets, 11 on each side, and will incorporate a trapezoid wash tank design with removable discharge plates. Wash, rinse and sanitize tanks to be fully skirted. Legs to be constructed of 1- 5/8" (.065) wall stainless steel with fully adjustable feet. Optional K-5000 controls to incorporate programmable wash cycles with variable speeds, wash tank temperature control, low water detection, self-diagnostics, change water indicator, communication package, integrated soap dispensing, and will operate in four languages. K-1000 controls to have single speed, temperature control, integrated soap dispensing, change water indicator, integrated low water detection, and limited diagnostics. Both controllers to incorporate Plug n' Play serviceability. Wash tank heater to be 2,500 watt with Plug n' Play serviceability. 5,000 watt and 7,000 watt heater models available. Dual wash pumps to be stainless steel construction and are completely self-draining. Motors to be 2 H.P. TEFC and will incorporate Plug n' Play serviceability. Systems to have three 2" NPS twist handle drains, and a single 1-1/2" basket drain. Unit will also include a single 1/2" pre-rinse sprayer and two 3/4" quick fill faucets.

WAREWASH - X-STREAM®

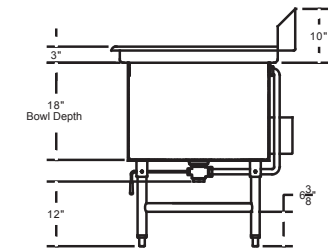
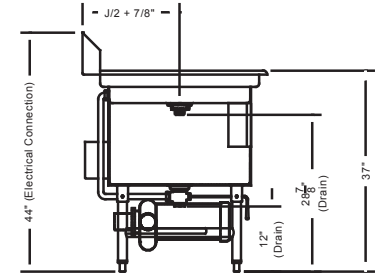
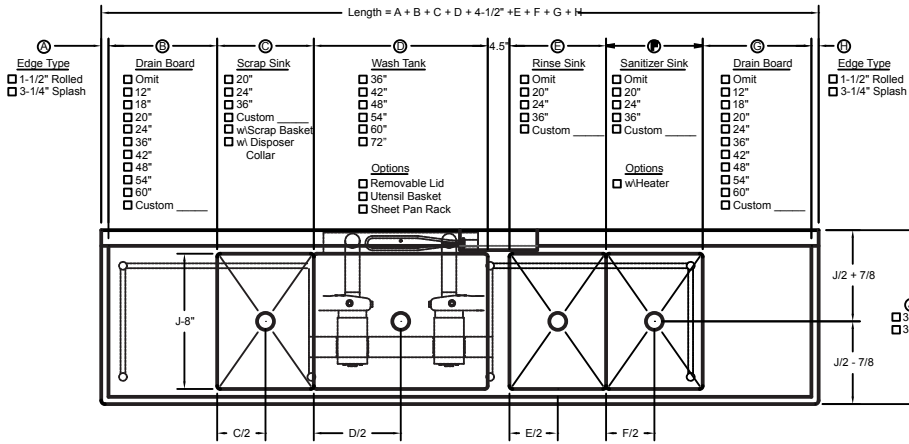
Catalog No. XSTREAM

A.I.A. File No. 35-C-13

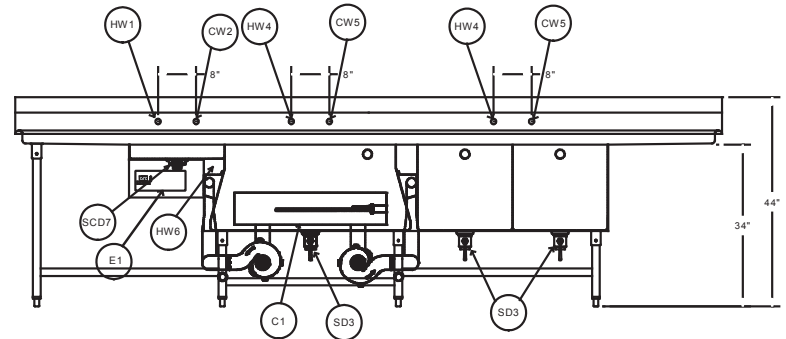


**MODEL: WAREWASH
X-Stream® Wash System**

Catalog No. XSTREAM



LEGEND	CONNECTION INFORMATION (AFF - ABOVE FINISHED FLOOR)
C1	Chemical Feed Connection: (over primary faucet). 1" Dia. hole for hose grommet, 43-7/8" AFF.
E1	Electrical Connection: motors & controls (includes electric heat when ordered). 3/4" conduit, 16" AFF.
HW1	Hot Water Connection: Pre-rinse sprayer, 1/2" FPT. 36-15/16" AFF.
CW2	Cold Water Connection: Pre-rinse sprayer, 1/2" FPT. 36-15/16" AFF.
SD3	Sink Drains: 2" MPT
HW4	Hot Water Connection: Mixing Faucet. 1/2" FPT. 36-5/8" AFF
CW5	Cold Water Connection: Mixing Faucet. 1/2" FPT. 36-5/8" AFF
HW6	Hot Water Connection: Mixing Faucet. 1/2" FPT. 11-1/2" AFF.
SCD7	Scrapper Drain: 1-1/2" MPT. 25-5/8" AFF.
All dimensions taken from finished floor line. May increase 3/4" or decrease 1/2" depending on leg adjustment. Recommend 7-3/4" AFF wall drain location.	



X-Stream® Wash	Elec. Specs	Rated Amps	Minimum supply circuit conductor ampacity	Maximum overcurrent protective device
w/ Electric Heat	208-240/60/3	15.1	25	25
	480/60/3	7.6	15	15
w/o Electric Heat	208-240/60/3	4.8	15	15
	480/60/3	2.4	15	15

WAREWASH - X-STREAM®



DUKE MANUFACTURING CO.
 2305 N. Broadway
 St. Louis, MO 63102
 800.735.3853 Toll Free
 800.231.1130 In Missouri
 314.231.5074 Fax
 www.dukemfg.com

Specification subject to change