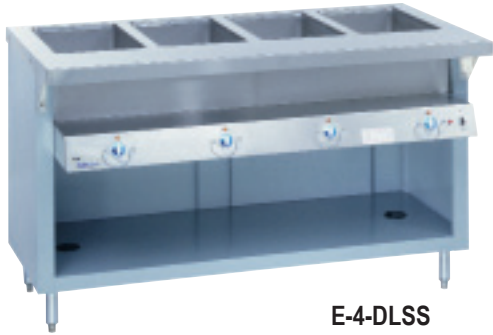




# Specifications

F.O.B Sedalia, Missouri 65301



E-4-DLSS

### OPTIONS:

- 14 gauge tops
- Heated base module
- Sliding Doors
- 3-phase wiring
- Adaptor plates
- Casters (add cord and plug), 5" swivel with locks
- Casters (add cord and plug), 5" swivel no lock
- Veneered panels
- Powder coat paint colors
- Foodshields
- Trayslides
- 1/2" poly cutting surface added to integral top

### AGENCY LISTINGS:



**DUKE MANUFACTURING CO.**  
 2305 N. Broadway  
 St. Louis, MO 63102

**800.735.3853 Toll Free**  
**314.231.5074 Fax**  
**www.dukemfg.com**

### Approval Stamp(s):

### PRODUCT INFORMATION:

PROJECT: \_\_\_\_\_  
 ITEM: \_\_\_\_\_  
 QUANTITY: \_\_\_\_\_

MODEL:

### Thurmaduke® Steamtables

#### Hot Food Units - Electric - Deluxe

- E-2-DLPG/E-2-DLSS      2 top openings
- E-3-DLPG/E-3-DLSS      3 top openings
- E-4-DLPG/E-4-DLSS      4 top openings
- E-5-DLPG/E-5-DLSS      5 top openings
- E-6-DLPG/E-6-DLSS      6 top openings

#### TOP:

- One piece. 16 gauge, 300 Series stainless steel
- Top openings die-stamped. 12" x 20"
- Integral carving/work surface

#### HEAT COMPARTMENTS:

- Sealed wells with drains copper manifolds and brass master valve
- 750 watt element at 120, 208 or 240 volt/single or 3-phase
- Robertshaw thermostat w/indicator light per section
- Master toggle switch w/indicator light - entire unit
- 12" x 20" stainless steel liner, 6-1/2" deep

#### BODY AND INTERIOR SHELF:

- 300 Series stainless steel or paint grip steel
- End panels
- 6" polished stainless steel adjustable legs

#### INTEGRAL DISHSHELF:

- Heavy gauge, one piece stainless steel - 8-1/2" wide
- Housing for control knobs, thermostats and master switch
- Wire knob guards

### SHORT FORM SPECIFICATIONS:

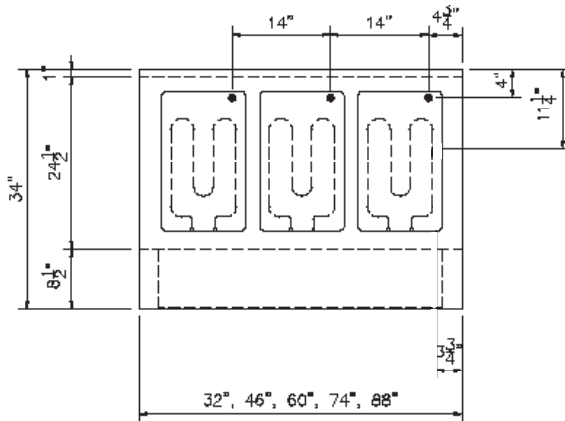
**Thurmaduke® Steamtables - Hot Food - Electrical - Deluxe.** Top shall be 16ga, 300 series Stainless Steel flanged down edges, flush at ends, integral s/s cutting board, dish shelf, 20ga s/s body & under shelf, with 15-1/2" opening for storage, s/s sealed well pan openings to be 12" x 20"x 6-1/2" deep, die-stamped, drains, copper manifolds, one valve, Robertshaw thermostats, unit wired to master toggle w/ indicator, 6" Stainless adjustable legs.



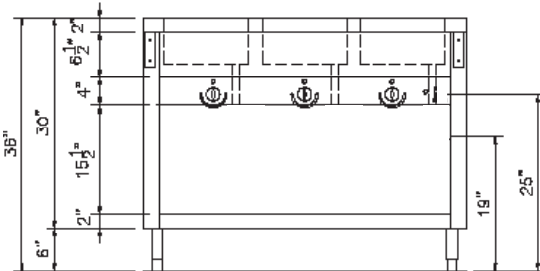
**MODEL:**

**Thurmaduke® Steamtables  
Hot Food Units - Electric - Deluxe**

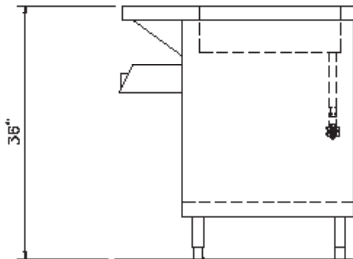
- E-2-DLPG/E-2-DLSS 2 top openings
- E-3-DLPG/E-3-DLSS 3 top openings
- E-4-DLPG/E-4-DLSS 4 top openings
- E-5-DLPG/E-5-DLSS 5 top openings
- E-6-DLPG/E-6-DLSS 6 top openings



**TOP VIEW**



**FRONT VIEW**



**RIGHT SIDE VIEW**

LEGEND	
▲	- ELECTRICAL CONNECTION
●	- DRAIN LOCATION

**DIMENSIONS:**

FREIGHT CLASS: 150

Model		Length		Width		Height		Top Openings	Cube ft. Crated	Weight	
Enameled	Stainless	in.	cm	in.	cm	in.	cm			lbs.	kg
E-2-DLPG	E-2-DLSS	32	81.3	34	86.4	36	91.4	2	27.0	255	115.9
E-3-DLPG	E-4-DLSS	46	116.8	34	86.4	36	91.4	3	38.1	335	152.3
E-4-DLPG	E-4-DLSS	60	152.4	34	86.4	36	91.4	4	49.2	410	186.4
E-5-DLPG	E-5-DLSS	74	188.0	34	86.4	36	91.4	5	60.2	495	225.0
E-6-DLPG	E-6-DLSS	88	223.5	34	86.4	36	91.4	6	71.3	595	270.5

**ELECTRICAL SPECIFICATIONS:**

Model	120 Volt - 750 watt elements			208 Volt - 750 watt elements			240 Volt - 750 watt elements		
	Watts	Amps	NEMA	Watts	Amps	NEMA	Watts	Amps	NEMA
E-2-DLPG/SS	1500	12.5	5-15	1500	7.2	6-20	1500	6.4	6-20
E-3-DLPG/SS	2250	18.8	L5-30	2250	10.8	6-20	2250	9.4	6-20
E-4-DLPG/SS	3000	25.0	5-50	3000	14.4	6-20	3000	12.5	6-20
E-5-DLPG/SS	3750	31.3	5-50	3750	18.0	L6-30	3750	15.9	6-20
E-6-DLPG/SS	N/A			4500	21.6	L6-30	4500	18.8	L6-30

Cord and NEMA plug NOT included

**DUKE MANUFACTURING CO.**

2305 N. Broadway  
St. Louis, MO 63102

800.735.3853 Toll Free  
800.231.1130 In Missouri  
314.231.5074 Fax  
www.dukemfg.com



Specification subject to change