

APPLICATION:

JOB NAME:

QUANTITY:                      ITEM NO.

PRODUCT NAME:

**STAINLESS STEEL REEL RINSE  
EXPOSED WITH SPRAY GUN**

SPECIAL CONFIGURATION  
CHECK BASE MODEL AND OPTIONS

MODEL:

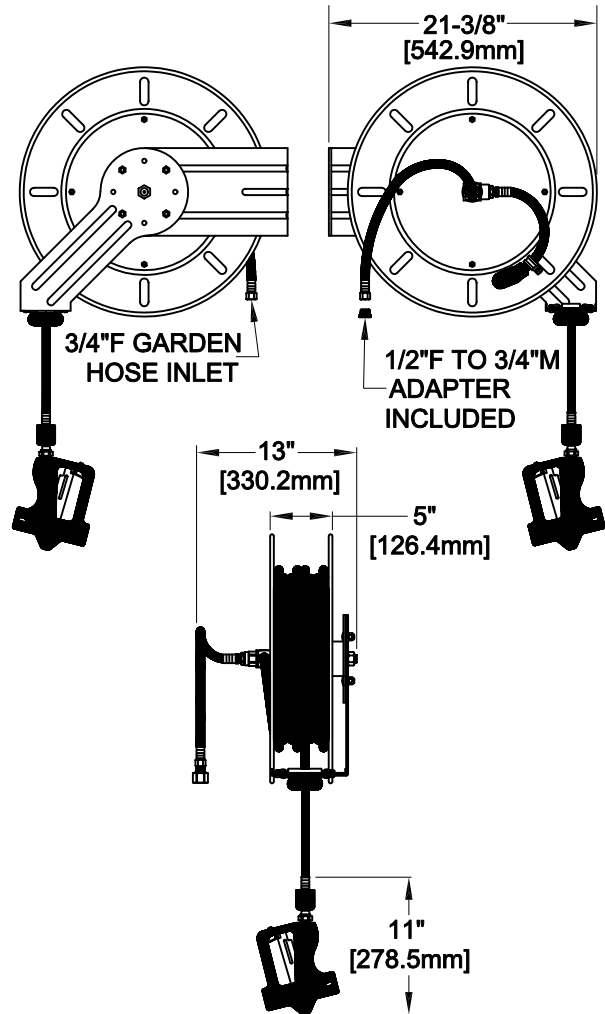
29599 W/ 35' LENGTH HOSE

29262 W/ 50' LENGTH HOSE

OPTIONS OR MODIFICATIONS:

OTHER \_\_\_\_\_

- FEATURES:**
- REEL RINSE**
- \* EXPOSED DESIGN
  - \* STAINLESS STEEL CONSTRUCTION
  - \* GUIDE ARM ADJUSTABLE TO 9 POSTIONS
  - \* RATCHET LOCK AND EASY TENSION ADJUST
  - \* STAINLESS STEEL OR BRASS FLUID PATH
- HOSE**
- \* 35' OR 50' LENGTH REEL HOSE
  - \* 5/8" ID HIGH TEMPERATURE HOSE
  - \* 3-PLY FIBER REINFORCED
  - \* 1/2" F NPT OR 3/4" F GARDEN HOSE INLET
  - \* 18" LENGTH INLET HOSE
  - \* ADJUSTABLE BALL STOP
- SPRAY GUN**
- \* STAINLESS STEEL CONSTRUCTION
  - \* WATERPROOF NYLON COVER
  - \* ERGONOMIC DESIGN
  - \* LOCKING TRIGGER MECHANISM
  - \* 7.0 GPM AT 80 PSI
- SYSTEM LIMITS**
- \* TEMP: 40° F MIN. TO 140°F MAX.
  - \* PRESSURE 150 PSI MAX. STATIC
- SHIPPING WEIGHT**
- \* 29599 - 55.0 LBS
  - \* 29262 - 60.0 LBS



ROUGH-IN: SEE MOUNTING PLATE BELOW

