

APPLICATION:

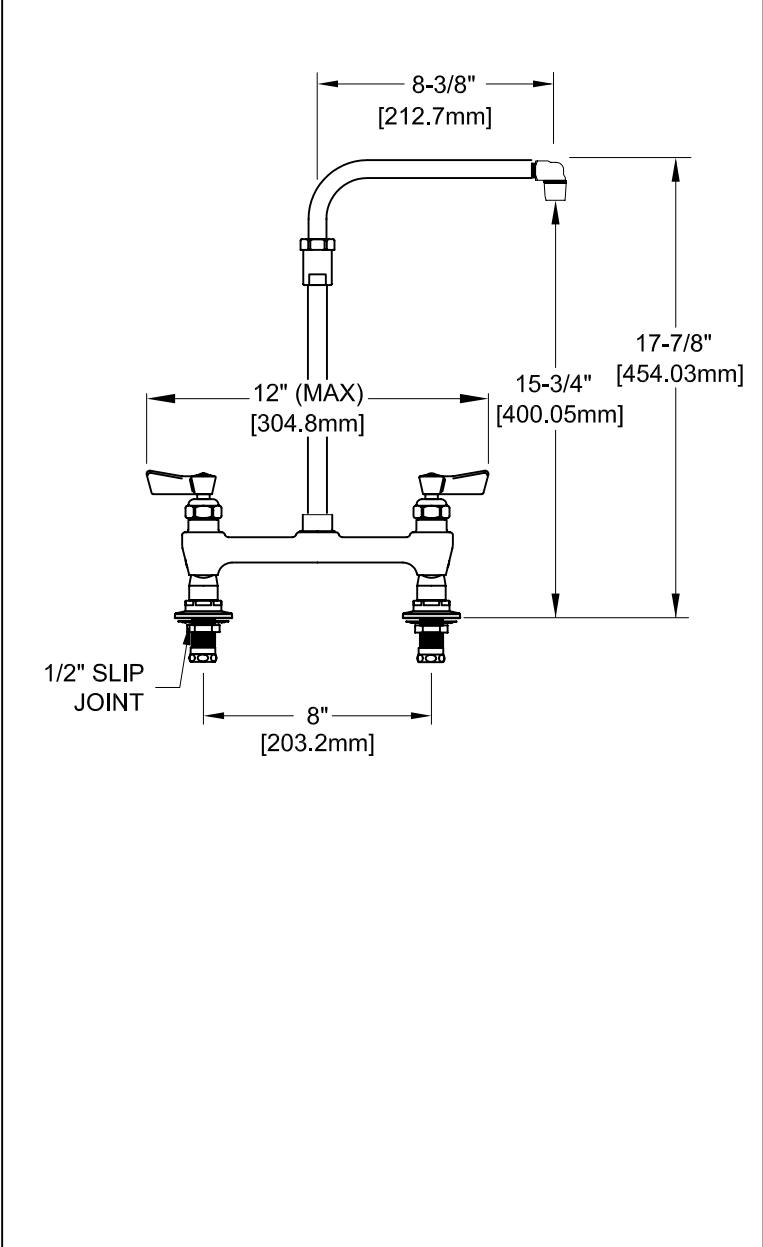
PRODUCT NAME:
 STAINLESS STEEL
 8" C/C DECK FAUCET

JOB NAME:

SPECIAL CONFIGURATION
 ■ 24295 CHECK BASE MODEL AND OPTIONS

QUANTITY:

ITEM NO.



FEATURES:

- * 8" C/C DECK
- * INTERNAL SPRING LOADED CHECK VALVES
- * SWIVELLING SEAT DISKS
- * HOT SIDE STEM - RIGHT HAND
- * COLD SIDE STEM - LEFT HAND
- * STAINLESS STEEL SEATS
- * STAINLESS STEEL SEAT SCREWS
- * STAINLESS STEEL HANDLE SCREWS
- * 1/2" SLIP JOINT

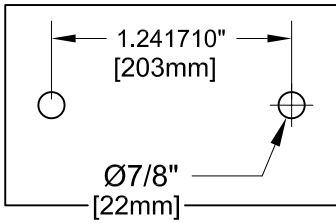
SYSTEM LIMITS

- * TEMP: 40°F MIN. TO 140°F MAX.
- * PRESSURE 200 PSI MAX. STATIC
- * 5.0 GPM AT 80 PSI

SHIPPING WEIGHT

- * 8.0 LBS

ROUGH-IN:



ANSI/A112.18.1M

FISHER
 FISHER MANUFACTURING COMPANY
 TOLL FREE: 800-421-6162 - FAX: 800-832-8238
 information@fisher-mfg.com - www.fisher-mfg.com