



GLO-RAY® HEATED GLASS MINI-MERCHANDISING WARMERS

Models GRHW-1SGD, -1SGDS

Safe and convenient, Hatco Heated Glass Mini-Merchandisers create impulse sales by placing fresh product in front of the customers. Hatco foodwarmers hold hot product at peak serving temperatures and are ideal for convenience stores, supermarkets, delis, concession stands, snack bars, kiosks, and pizzerias.

FLEXIBILITY

These Mini-Merchandisers double the holding capacity due to Hatco's patented heated glass technology. The shelf radiates heat down and conducts heat up, maintaining uniform heat distribution to safely hold food at optimum serving temperatures.

QUALITY

The following features assure the finest performance for years to come:

- Both models feature thermostatically-controlled heated bases to extend the holding times of most food, and a cord and plug set.
- Prefocused infrared top heat directs heat to the outer edges of the holding surface where heat loss is the greatest.
- Patented heated glass technology doubles the holding capacity.
- Coated shatter-resistant incandescent lights enhance product displays while safeguarding food products from bulb breakage.
- Sturdy acrylic breath protector provides a safe environment when serving food.



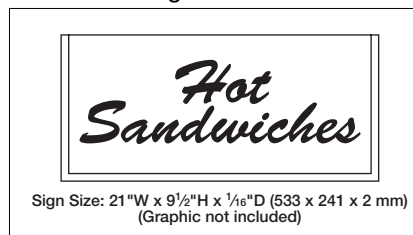
Model GRHW-1SGD with *Designer* color, breath protector, and accessory sign holder (graphic not included)



Model GRHW-1SGDS with *Designer* color, breath protector, and slanted hardcoated base



Sign Bracket



METAL SHEATHED HEATING ELEMENTS GUARANTEED AGAINST BURNOUT AND BREAKAGE FOR TWO YEARS, BLANKET ELEMENTS, AND HEATED GLASS FOR ONE YEAR.

HATCO CORPORATION P.O. Box 340500 Milwaukee, WI 53234-0500 U.S.A.
(800) 558-0607 • (414) 671-6350 • Fax (800) 543-7521 • Int'l. Fax (414) 671-3976
www.hatcocorp.com • E-mail: equipsales@hatcocorp.com

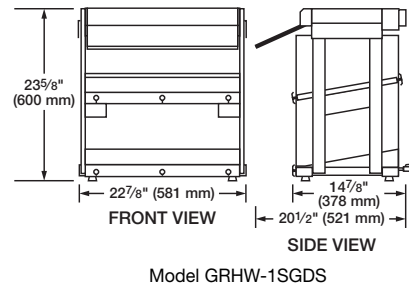
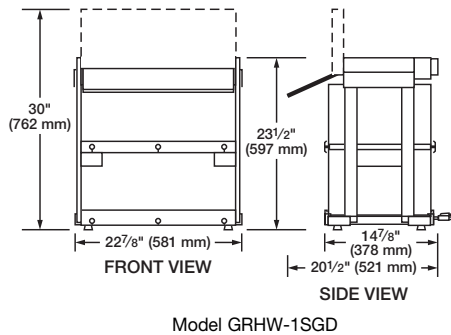
Form No. MM-HG Spec Sheet

Printed in U.S.A.
January 2007



GLO-RAY® HEATED GLASS MINI-MERCHANDISING WARMERS

Models GRHW-1SGD, -1SGDS



SPECIFICATIONS

Model	Volts	Watts	Amps	Shipping Weight
GRHW-1SGD	120	1650	13.8	71 lbs. (32 kg)
GRHW-1SGDS	120	1650	13.8	71 lbs. (32 kg)

DIMENSIONS

GRHW-1SGD: 22 7/8"W x 20 1/2"D (including breath protector) x 23 1/2"H* (581 x 521 x 597 mm). Base Depth: 14 7/8"D (378 mm). Sign Dimensions: 21"W x 9 1/2"H x 1/16"D (533 x 241 x 2 mm).

GRHW-1SGDS: 22 7/8"W x 20 1/2"D (including breath protector) x 23 5/8"H* (581 x 521 x 600 mm). Base Depth: 14 7/8"D (378 mm). Sign Dimensions: 21"W x 9 1/2"H x 1/16"D (533 x 241 x 2 mm).

* Add 6 1/2" (165 mm) to height for sign holder.

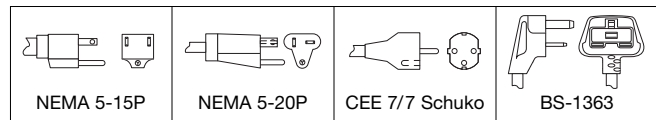
VOLTAGE

120 volts, single phase only (uses NEMA 5-15P, NEMA 5-20P – Canada). Export voltages available.

CORD LOCATION

Control side, bottom right.

PLUG CONFIGURATIONS



OPTIONS (NOT FOR RETROFIT)

- Designer Colors: Warm Red, Black, Gray Granite, White Granite, Navy Blue, Hunter Green
- Hardcoated Surface (Standard on GRHW-1SGDS)
- Halogen Bulb in lieu of Standard Display Light

ACCESSORIES

- Sign Holder (Adds 6 1/2" (165 mm) to height of unit)
- Hardcoated Bin (GRHW-1SGD only)
- Plastic Food Pans
- Plastic Pan Lids

PRODUCT SPECS

Mini-Merchandiser

The Heated Glass Mini-Merchandiser shall be a Glo-Ray® Model ...as manufactured by the Hatco Corporation, Milwaukee, WI 53234 U.S.A.

With 24/7 service (U.S. and Canada only), the warmer shall be rated atwatts,volts, and beinches (millimeters) in

overall width. It shall consist of a thermostatically-controlled heated base, infrared heat from above, a patented heated glass center shelf, breath protector, incandescent display lights, and a 6' (1829 mm) cord with plug attached.

The infrared heating element shall be tubular metal sheathed.