

HOBART701 S Ridge Avenue, Troy, OH 45374
1-888-4HOBART • www.hobartcorp.com**HGC20D SERIES HALF-SIZE
GAS CONVECTION OVEN****HOBART****HGC20D SERIES HALF-SIZE GAS CONVECTION OVEN****STANDARD FEATURES**

- Stainless Steel Front, Sides, Top and Back
- Stainless Steel Door Seal and Door Liner
- Porcelain Enamel on Steel Oven Interior
- Requires only 25,000 BTU/Hr
- Fully Electronic Controls with Digital Time and Temperature Readouts
- Full Height Door Opens 180° to the Left
- Solid State Thermostats
- Recessed Controls
- Cool Down Switch for Rapid Cool Down
- Door Interlock Switch to Prevent Blower and Heater from Operating when Door is Opened
- Door has Large Pane Window and Cool-to-the-Touch Handle
- Permanently Lubricated Fan Motor Eliminates Routine Motor Maintenance
- Five Oven Racks with Nine Rack Positions Maximizes Output for Limited Space
- High Density Insulation in Oven Walls and Doors
- Standard Gas Pressure Regulator Eliminates the Need for Field Installation; Factory Preset at Optimal Pressure

MODELS

- HGC201D – Single Section on 4" Legs
- HGC202D – Two Sections on 16⁵/₈" Legs
- HGC203D – Single Section on Open Stand with 6" Legs

ACCESSORIES

- Set of Four 4" Adjustable Stainless Steel Legs
- Set of Four 16⁵/₈" Adjustable Stainless Steel Legs and Stack Set
- 28" Stand with 9-Rack Storage Capacity
- Four 6" Adjustable Stainless Steel Legs for 28" Stand
- Set of Four Casters for Stand
- Extra Oven Rack

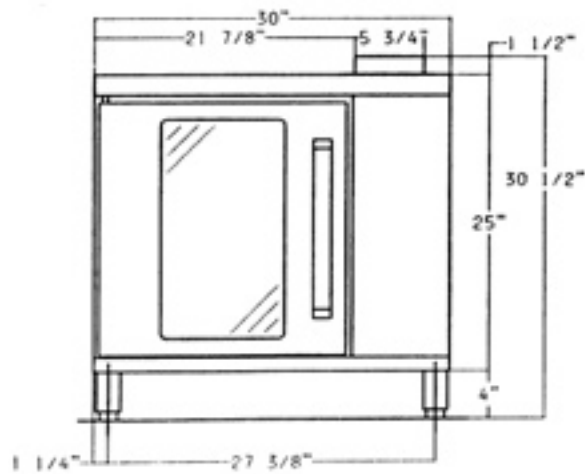
Specifications, Details and Dimensions on Inside and Back.



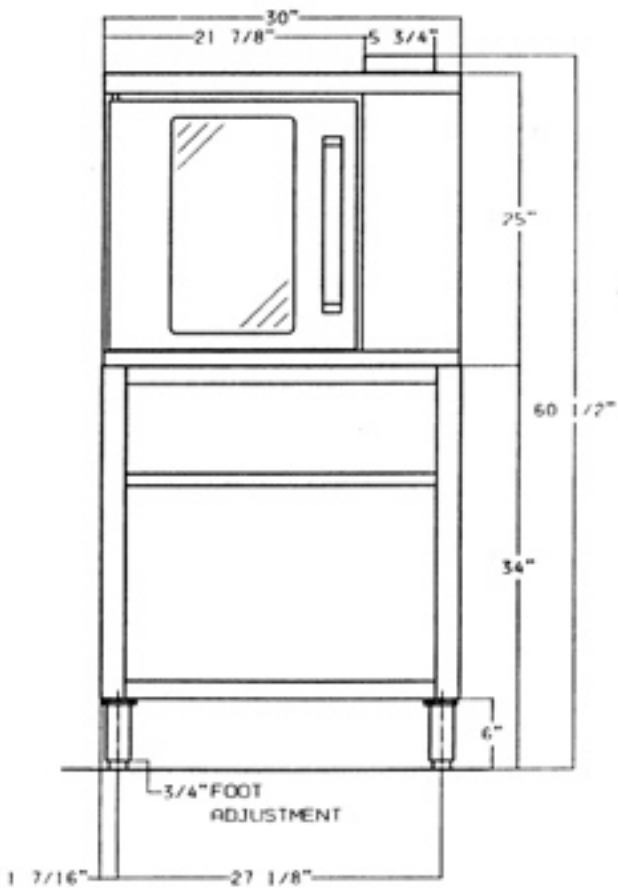
HGC20D SERIES HALF-SIZE GAS CONVECTION OVEN



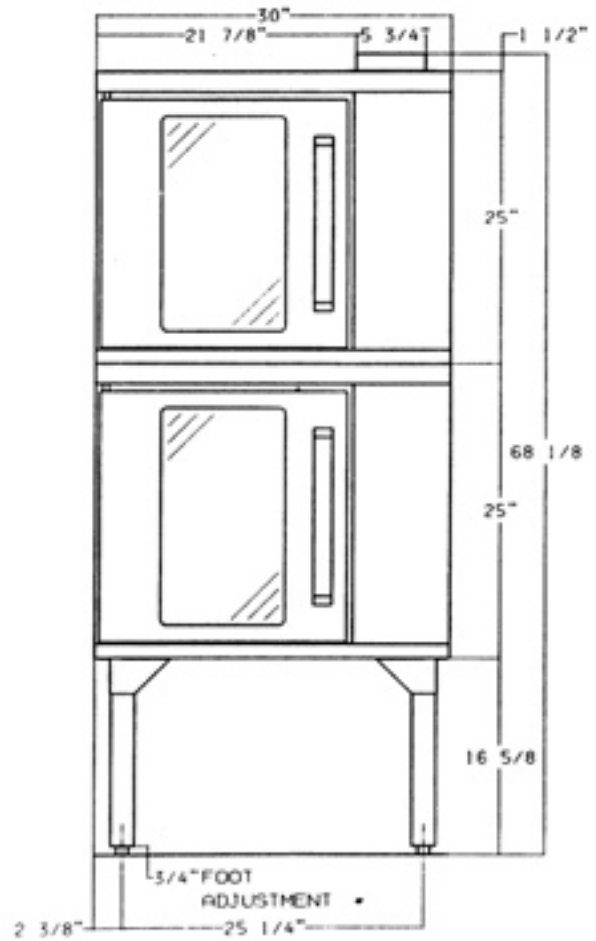
701 S Ridge Avenue, Troy, OH 45374
1-888-4HOBART • www.hobartcorp.com



Front View
HGC201



Front View
Oven with Stand
HGC203

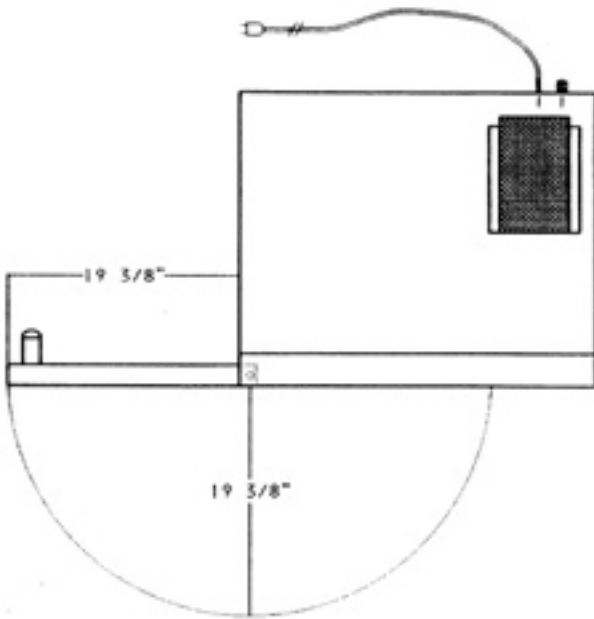


Front View
HGC202 Ovens with
16 5/8" Legs

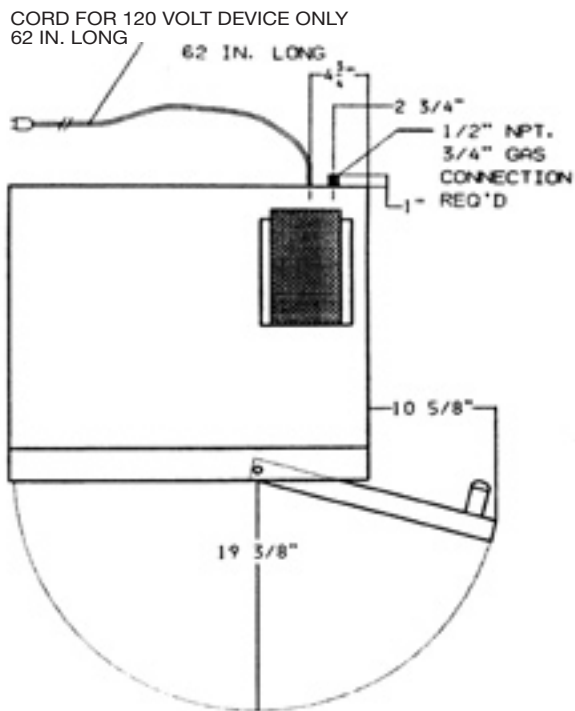


701 S Ridge Avenue, Troy, OH 45374
1-888-4HOBART • www.hobartcorp.com

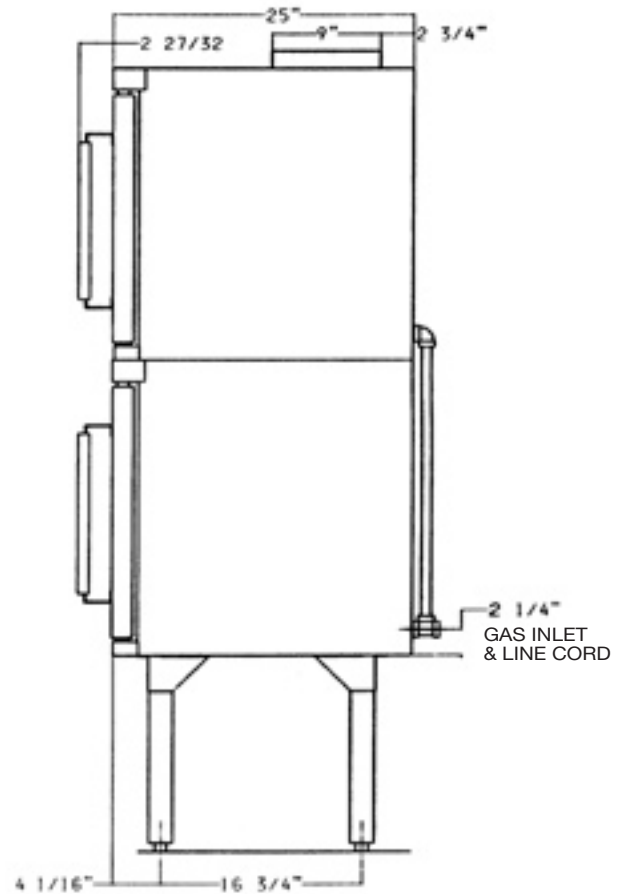
HGC20D SERIES HALF-SIZE GAS CONVECTION OVEN



Top View
Door Opening to Left



Top View
Door Opening to Right



Side View

HGC20D SERIES HALF-SIZE GAS CONVECTION OVEN



701 S Ridge Avenue, Troy, OH 45374
1-888-4HOBART • www.hobartcorp.com

SPECIFICATIONS

CONSTRUCTION: Outer shell is reinforced sheet steel furnished with stainless steel front and back. Insulation is provided on top, rear, both sides, bottom and door. Standard oven cavity is porcelain enamel on steel. Standard stainless steel sides, top and back. Full-height door opens 180° to the left. Door has large-pane window and cool-to-the-touch handle. Durable mechanical door latch. Permanent sanitary door seal. Racks have positive stop.

CONTROLS: Electronic controls with easy to read time and temperature screens are located on oven's right front panel. Temperatures are controlled accurately to ±7°F. Cook temperatures are adjustable from "Off" to 150°F - 500°F. (The hold temperature of the "Cook and Hold" feature is adjustable from 150° to 200°F.) Timer sets cook time from one minute to eight hours. Time is displayed in hours and minutes and counts down during the cook cycle. The Pulse Fan Delay feature is adjustable from "Off" or zero minutes to fifteen minutes. At the end of the Pulse cycle, the oven reverts to standard operation for the remainder of the cook cycle. A power switch energizes the gas burner and the blower. A separate switch controls the two cavity lights.

Automatic interlock switch shuts off blower motor and burner when the doors are opened. Cool down switch allows blower motor to operate with doors open and without energizing the heating system.

GAS: 25,000 BTU per hour (per section). Tubular heat exchanger is located on the right side of the oven cavity, behind the baffle and encircles a blower wheel.

ELECTRICAL: 1/3 H.P., 1725 RPM sealed, permanently lubricated ball bearing blower motor. Rated power input (for blower motor and controls) is .95 KW per section. Each section furnished with 62 inch, 120 volt power cord.

IMPORTANT

WHEN ORDERING: The following must be specified:

- 1) The type of gas.
- 2) The altitude of the location where the equipment will be installed.

The standard design of this equipment is for natural gas having the following characteristics:

- 1000 BTU per cubic foot
- .64 specific gravity

WEIGHTS: (Approximate)

| MODEL | NET | SHIPPING |
|---------|----------|----------|
| HGC201D | 258 lbs. | 236 lbs. |
| HGC202D | 532 lbs. | 472 lbs. |
| HGC203D | 382 lbs. | 352 lbs. |

| MODEL | OVERALL EXTERNAL DIMENSIONS | | | COMPARTMENTS INTERNAL DIMENSIONS | | | RACK DATA (pan capacities shown for single rack) | | | | | | |
|---------|-----------------------------|-----|-----|----------------------------------|-----|-----|--|-------------------|--------------------|-----------|----------------|-----------|--------------|
| | W | D | H | W | D | H | NO. STD. RACKS | STD. RACK SPACING | NO. OPTIONAL RACKS | RACK SIZE | 8" OD PIE TINS | #200 PANS | 12 X 20 PANS |
| | IN. | IN. | IN. | IN. | IN. | IN. | | IN. | | IN. | | | |
| HGC201D | 30 | 25 | 29 | 15¼ | 21 | 20 | 5 | 19½ | 4 | 14¾ x 20¾ | 3 | 1 | 1 |
| HGC202D | | | 66⅝ | | | | 10 | | 8 | | | | |
| HGC203D | | | 65 | | | | 5 | | 4 | | | | |

| MODEL | GAS DATA | | | ELECTRICAL DATA | |
|---------|----------------|-------------------|---------|-----------------|----------|
| | INPUT - BTU/HR | MANIFOLD PRESSURE | | LOAD (WATTS) | AMP/LINE |
| | | | | | 120V |
| HGC201D | 25,000 | Nat. | Propane | 950 | 8 |
| HGC202D | 50,000 | 3½ | 10" | 1,900 | 16 |
| HGC203D | 25,000 | W.C. | W.C. | 950 | 8 |

INSTALLATION NOTES: Installation, initial startup and adjustments should be performed by personnel authorized, qualified or licensed to install gas equipment. When installed, sides, bottom and back must be at least 3" from combustible construction. Installation must provide an unobstructed flow of primary and secondary air to the oven. Minimum leg height is to be 4 inches.

Cooking equipment for the commercial kitchen must be adequately ventilated. Reference should be made to National Fire Protection Association Standard No. 96 (NFPA No. 96 - latest edition). This standard can be obtained by contacting the National Fire Protection Association, 470 Atlantic Ave., Boston, MA 02210.

As continued product improvement is a policy of Hobart, specifications are subject to change without notice.