

UVD - Sterilizing Drawer Unit

SPECIFICATION:

U.V. and Sterilizer Drawer is constructed of 18GA type 304 stainless steel with 16GA drawer face. Overlap face prevents ultra violet leakage.

Drawer is self closing and activates automatic timer, U.V. Germicidal fixture and **RED ON** pilot light. When sterilizing is complete, red on light and U.V. lamp will go off **GREEN READY** light will come on indicating that knives are sterilized and ready for use.

Power to the U.V. lamp is disconnected whenever drawer is opened. With drawer closed, automatic timer and U.V. fixture will be activated and go thru one cycle. Knife holder holds up to (7) knives with cutting edge facing up towards U.V. Lamp for complete sterilization. Electrical control housing is removable for access to all electrical connection. Unit is equipped with a 4' cord and plug (120 volts, 5 amps).

PRODUCT GUIDE:

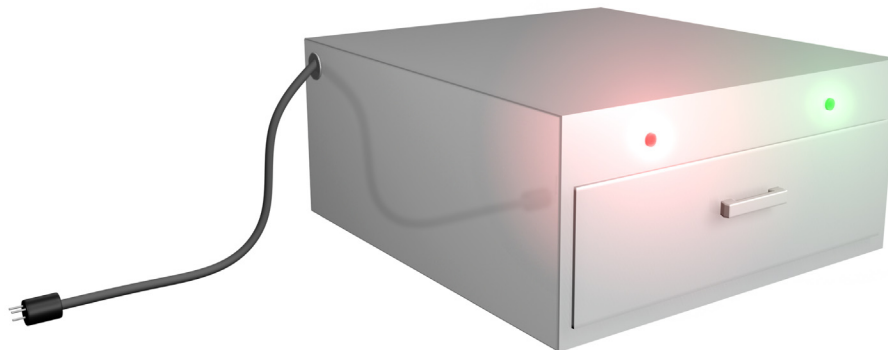
IMC Sterilizing Drawer Unit uses germicidal UV to disinfect and purify knives and other kitchen tools. The drawer is designed to generate UV dosages in excess of 30,000 microwatts per square centimeter in the timed cycle and destroys 99.9% of microorganisms. Use with cleaned and dry tools and knives only. Do not attempt to operate with door open.

Unique Features:

- Non-chemical disinfecting.
- Uses only highest quality UV germicidal fixture.
- Time tested proved technology from UV pioneers.
- All welded stainless steel.

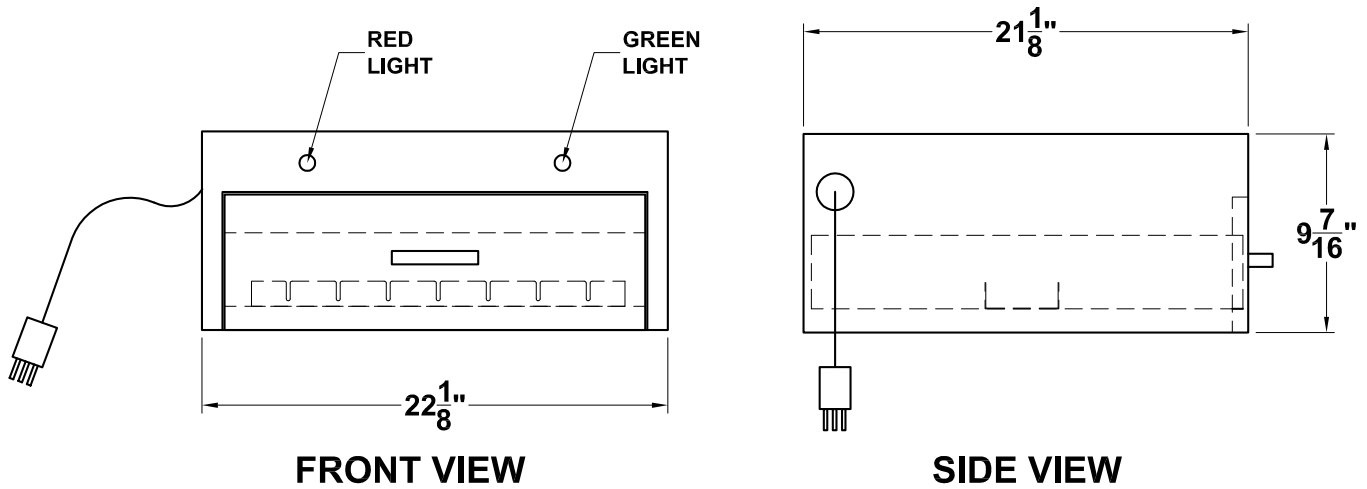
OPTIONS:

- Drawer Lock
- Installation Brackets
- Other Sizes
- Custom Logo



Specifications subject to change without notice.

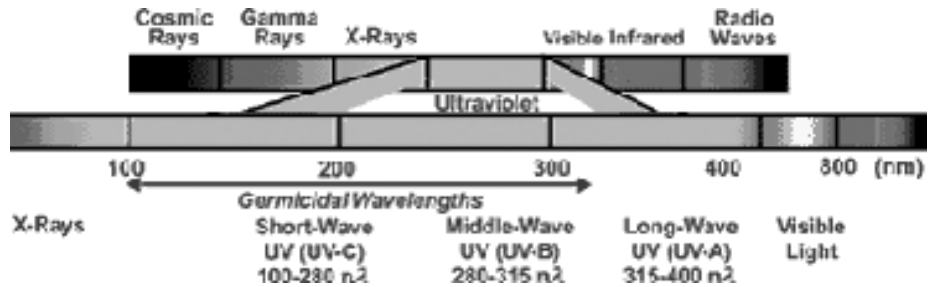
UVD - Sterilizing Drawer Unit



What is Ultraviolet?

Ultra violet light is part of the light spectrum, which is classified into three wavelength ranges:

- UV-C, from 100 nanometers (nm) to 280 nm
- UV-B, from 280 nm to 315 nm
- UV-A, from 315 nm to 400 nm



What is Germicidal Ultraviolet?

UV-C light is germicidal - i.e., it deactivates the DNA of bacteria, viruses pathogens and thus destroys their ability to multiply and cause disease. The process is non-chemical, simple and economical to operate.

Specifications subject to change without notice.



P.O. Box 206
Copiague, NY 11726-0206

800-221-5644/631-789-8881
Fax: 631-789-3633

www.imcteddy.com

UVD-10 1007