

WS-SEC - Security Hand Sink Wall Model

SPECIFICATION:

WS-SEC Model Heavy Duty Wall Correctional/Security Hand Sink is constructed of 16-gauge #304 stainless steel, with a tall integral backsplash and non-drip marine edges, coved corner sink bowl and built-in pitch to 1 1/2" waste outlet. 14GA front apron removable only with ACFSA approved correctional fasteners with rear flanges and "Z" strip for secure fastening to wall. Deck mounted automatic slow, self-closing, vandal resistant faucet to be T&S #0807, or equal is standard. All sinks are NSF approved and in compliance with the American Correctional Food Service Association Standard #1.

PRODUCT GUIDE:

IMC Hand Sinks are easily cleanable without the use of tools. All corners are coved, and all seams are fully welded and polished.

Large oversize deck provides space for other built-in accessories, such as a soap dispenser or eye wash station and integral towel dispenser. High backsplash protects wall and keeps sink sanitary. Large integral apron conceals all plumbing.

Designed specifically for correctional and similiar applications.

OPTIONS:

- Correctional towel dispenser for 300 multi-fold towels
- Hands-Free automatic electronic faucet, battery or transformer models.
- Other bowl sizes
- "P" Trap



*Price Page 64

Specifications subject to change without notice.



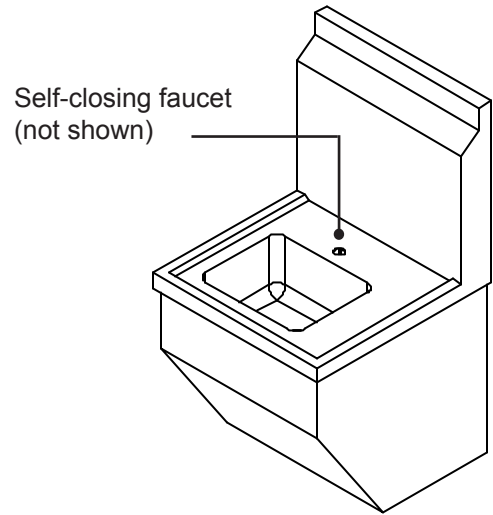
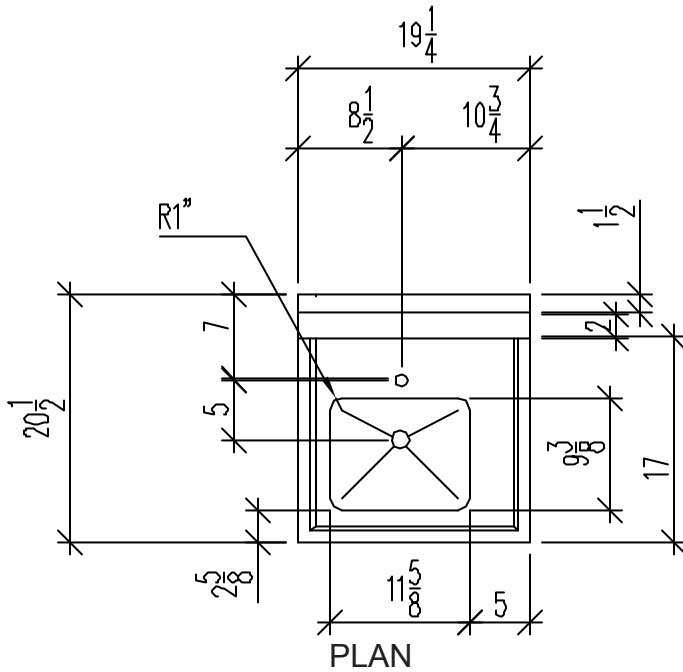
P.O. Box 206
Copiague, NY 11726-0206

800-221-5644/631-789-8881
Fax: 631-789-3633

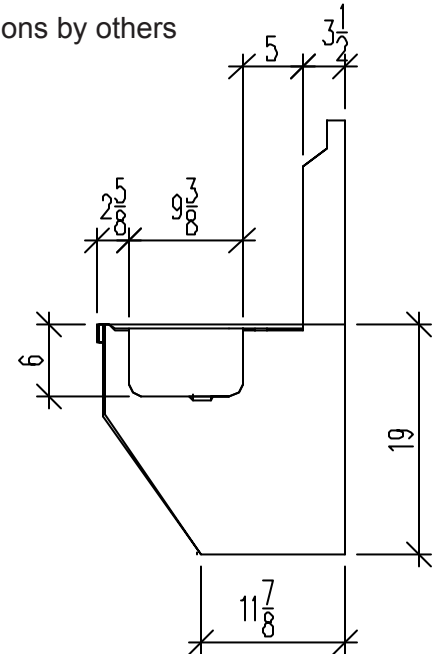
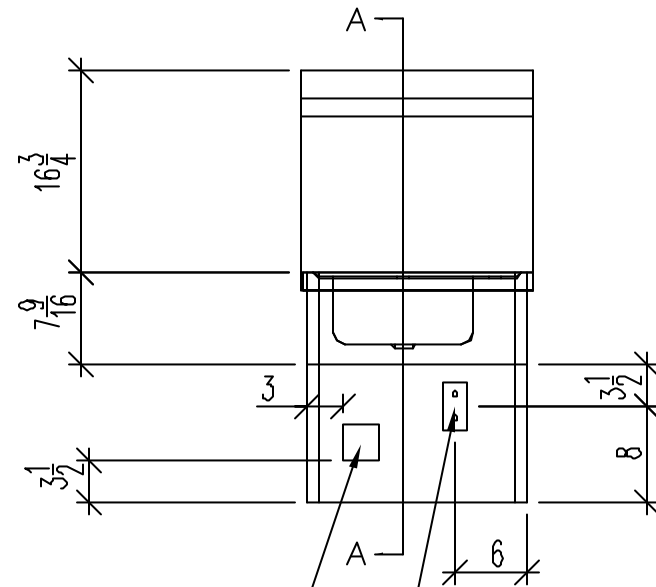
WS-SEC-30 1007

www.imcteddy.com

WS-SEC - Security Hand Sink Wall Model



NOTE: Plumbing connections by others



(1) Faucet Transformer
Mounted by Others

(2) 120 Volts/1 Phase/20 Amps
by Others

*See Price book pages 66-67 for options.

Specifications subject to change without notice.



P.O. Box 206
Copiague, NY 11726-0206

800-221-5644/631-789-8881
Fax: 631-789-3633

www.imcteddy.com

WS-SEC-30 1007