

BLU Series Drop-in Pan Chillers



Model shown KBD-33R (extra-depth pan rail).

Models – Horizontal Divider Bars (Std.)

| | | | |
|--------|------------|--------|------------|
| KBD-26 | 26" Length | KBD-65 | 65" Length |
| KBD-33 | 33" Length | KBD-72 | 72" Length |
| KBD-39 | 39" Length | KBD-78 | 78" Length |
| KBD-46 | 46" Length | KBD-85 | 85" Length |
| KBD-52 | 52" Length | KBD-91 | 91" Length |
| KBD-59 | 59" Length | | |



Product Details

Standard Features

- Horizontal finned divider bars to hold 1/3, 1/6 or 1/9 size pans
- General fit 7.56" chiller bar spacing

BLU Technology

Designed with versatility in mind, Kairak's BLU Drop-in Pan Chillers are the essential element for chef prep counters, buffet stations, serving lines or specialty carts (i.e. salsa bars or condiment stations). These practical components are easily retrofitted into existing counters or designed for new refrigerated or non-refrigerated counters.

Finish

Heavy-duty stainless steel, flat rail with BLU patent pending pan chiller system. T6 anodized horizontal divider bars to accommodate 1/3", 1/6" and 1/9" pans. 20-gauge stainless steel inner pan and stainless steel outer wrap.

Insulation

Nominal two (2) inch thick foamed-in-place polyurethane.

Refrigeration System (Self-Contained)

Propylene glycol system is provided and enclosed in a galvanized metal housing. All necessary controls and components are included in Self-contained models. Refrigeration includes condensing unit, expansion tank, heat exchanger and pump closely located from and in communication with the refrigeration package.

Electrical (Self-Contained)

Unit equipped with 115 volt single phase components. All connections are at rear of unit.

Warranty

Three (3) Year Parts & Labor
Five (5) Year Compressor

Features & Benefits

- » BLU Pan Chiller system exceeds NSF requirements by maintaining most food at or below 39° using *specified 6" deep pans.
- » No Frost build-up – Through precise control of temperature, all types of food products can remain in BLU Pan Chiller day or night with no risk of freezing your high water content foods.
- » No Defrost cycle – No need for chilling system to undergo a periodic shutdown for a defrost cycle, which can increase food temperatures.
- » No Fans – Requires no fans to enhance refrigeration, eliminates worry that condensation and food spillage will damage the fan and associated components.
- » Proximity Cooling – Horizontal chiller plate walls are close to the food pans for efficient heat transfer.
- » Maximum Versatility – Can be designed to accommodate various pan configurations/sizes depending on menu requirements.

Optional Features

- » 3-Row pan rail
- » Heavy duty hinged night cover
- » Remote option



KBP / 5-18-2010
Made in the U.S.A.

Horizontal Divider Bar - Pan Capacity

| MODELS | PAN TOTAL CAPACITY (1/6 SIZE) | | # OF PANS L TO R |
|---------|-------------------------------|-------|------------------|
| | 2-ROW | 3-ROW | |
| KBD-26S | 6 | 9 | 3 |
| KBD-33S | 8 | 12 | 4 |
| KBD-39S | 10 | 15 | 5 |
| KBD-46S | 12 | 18 | 6 |
| KBD-52S | 14 | 21 | 7 |
| KBD-59S | 16 | 24 | 8 |
| KBD-65S | 18 | 27 | 9 |
| KBD-72S | 20 | 30 | 10 |
| KBD-78S | 22 | 33 | 11 |
| KBD-85S | 24 | 36 | 12 |
| KBD-91S | 26 | 39 | 13 |

Drop-in Pan Chiller – Cut-Out Dimensions

| MODELS | LENGTH | WIDTH | EXTRA DEPTH |
|---------|---------|--------|-------------|
| KBD-26S | 25.625" | 19.75" | 27.375" |
| KBD-33S | 32.125" | | |
| KBD-39S | 38.625" | | |
| KBD-46S | 45.125" | | |
| KBD-52S | 51.625" | | |
| KBD-59S | 58.125" | | |
| KBD-65S | 64.625" | | |
| KBD-72S | 71.125" | | |
| KBD-78S | 77.625" | | |
| KBD-85S | 84.125" | | |
| KBD-91S | 90.625" | | |

List of Approved Pans

| BRAND | ITEM DESCRIPTION |
|--------------------------|------------------|
| Cambro | Polypropylene |
| Cambro | Polycarbonate |
| Carlisle | Polycarbonate |
| Carlisle | Stainless Steel |
| SyscoWare/Vollrath/SPI | Stainless Steel |
| SyscoWare/Vollrath/SPIII | Stainless Steel |
| Rubbermaid | Polycarbonate |
| JR | Stainless Steel |
| Crestware | Stainless Steel |



Model shown KBD-33R (extra-depth pan rail).

Comments:

Product Specifications

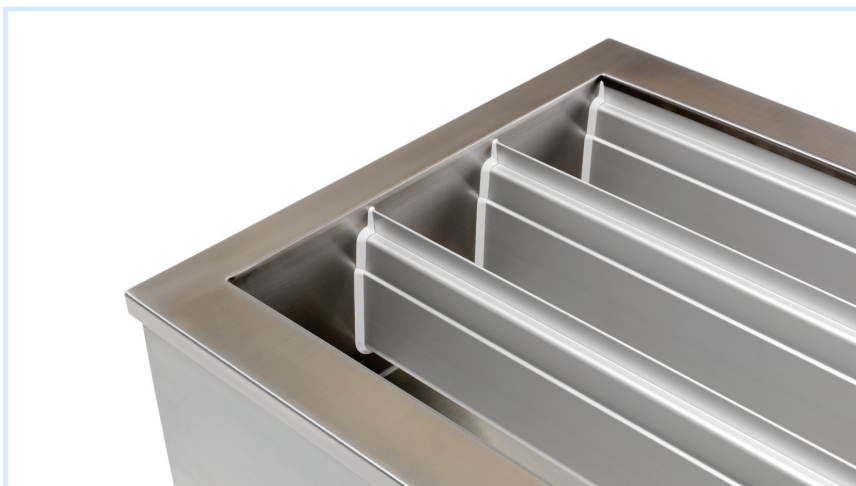
| MODELS | LENGTH | WIDTH | EXTRA DEPTH | WIDTH |
|---------|--------|-------|-------------|-------|
| KBD-26S | 26" | 19.5" | 27.1" | 10.5" |
| KBD-33S | 32.5" | 19.5" | 27.1" | 10.5" |
| KBD-39S | 39" | 19.5" | 27.1" | 10.5" |
| KBD-46S | 45.5" | 19.5" | 27.1" | 10.5" |
| KBD-52S | 52" | 19.5" | 27.1" | 10.5" |
| KBD-59S | 58.5" | 19.5" | 27.1" | 10.5" |
| KBD-65S | 65" | 19.5" | 27.1" | 10.5" |
| KBD-72S | 71.5" | 19.5" | 27.1" | 10.5" |
| KBD-78S | 78" | 19.5" | 27.1" | 10.5" |
| KBD-85S | 84.5" | 19.5" | 27.1" | 10.5" |
| KBD-91S | 91" | 19.5" | 27.1" | 11.5" |

Electrical Data

| MODELS | HP | VOLTAGE | FULL LOAD AMPERES | NEMA (cordset) |
|---------|-----|----------|-------------------|----------------|
| KBD-26S | 1/3 | 115/60/1 | 8.7 | 5-15P |
| KBD-33S | 1/3 | 115/60/1 | 8.7 | 5-15P |
| KBD-39S | 1/3 | 115/60/1 | 8.7 | 5-15P |
| KBD-46S | 1/3 | 115/60/1 | 10.7 | 5-15P |
| KBD-52S | 1/3 | 115/60/1 | 10.7 | 5-15P |
| KBD-59S | 1/3 | 115/60/1 | 10.7 | 5-15P |
| KBD-65S | 1/2 | 115/60/1 | 10.7 | 5-15P |
| KBD-72S | 1/2 | 115/60/1 | 12.5 | 5-20P |
| KBD-78S | 1/2 | 115/60/1 | 12.5 | 5-20P |
| KBD-85S | 1/2 | 115/60/1 | 12.5 | 5-20P |
| KBD-91S | 3/4 | 115/60/1 | 17.6 | 5-30P |

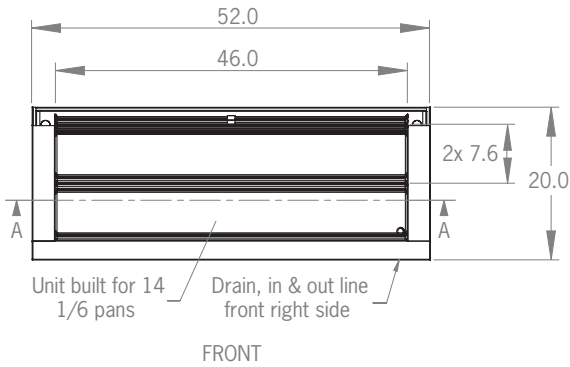
Shipping Data

| MODELS | APPROX.WEIGHT (lbs.) |
|---------|----------------------|
| KBD-26S | 230 |
| KBD-33S | 250 |
| KBD-39S | 262 |
| KBD-46S | 280 |
| KBD-52S | 295 |
| KBD-59S | 305 |
| KBD-65S | 315 |
| KBD-72S | 330 |
| KBD-78S | 345 |
| KBD-85S | 360 |
| KBD-91S | 375 |

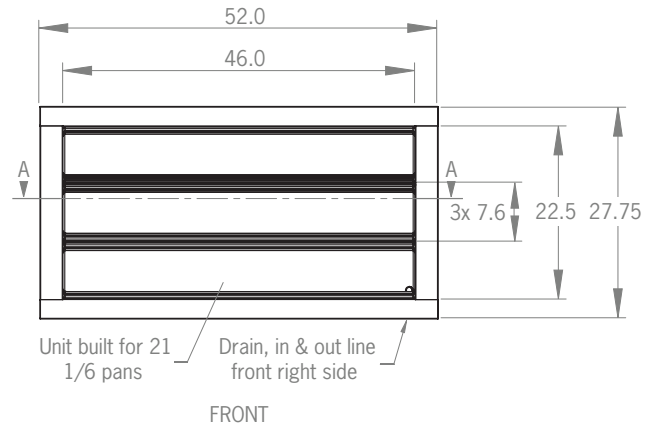


BLU Series Drop-in Pan Chillers

KBD-52S 2-Row Plan View

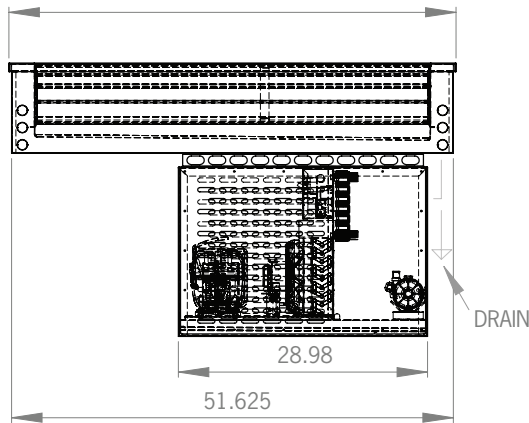


KBD-52S 3-Row Plan View

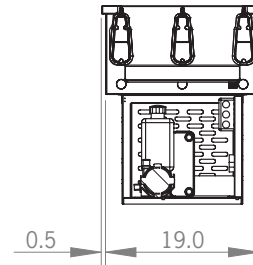


Elevation View

Available in lengths
26", 33", 39", 46", 52", 59", 65", 72", 78", 85" and 91"



2-Row Section View



3-Row Section View

