



Model shown KRP-48S (1 door, 6 pan capacity)

Product Details**Specifications**

Kairak's custom refrigeration Prep Tables can help transform your kitchen production line into the perfect combination of workspace and refrigeration storage. Our NSF approved pan chilling system ensures condiments for salads, pizzas and sandwiches always stay fresh regardless of extreme temperatures in the kitchen!

Top

Heavy-duty stainless steel, 3 1/2" inch high raised rail, slightly sloped to front with patented pan chiller system. Made to accommodate 1/3" inch size pans. All stainless steel construction with hinged night cover. Comes standard with white polyethylene cutting board.

Body

Base exterior front and sides are stainless steel. Back and bottom is galvanized metal. Interior has coved corners. Two powder coated (gray), wire shelves are provided for each door section. Casters are provided along with a dial thermometer.

Doors are standard with foam insulated stainless steel with chrome-plated edge mounted, self-closing hinges and snap-in magnetic gaskets.

Insulation

Nominal two (2) inch thick foamed-in-place polyurethane.

Refrigeration

Recessed evaporator coils (outfitted with expansion valves, solenoids and thermostats) are provided inside the base liner. Coils have 20-gauge heavy duty stainless steel covers. Pan chiller defrost time clock included. All necessary controls and components are included in self-contained models. Remote model compressors are to be provided by others Med/Low temperature unit.

Electrical

Unit equipped with 115 volt single phase components. All hook-ups are at rear of unit.

Warranty

One (1) Year Parts & Labor
Five (5) Year Compressor

Patents

5,355,687 and 5,927,092

Models

KRP-27S	27" Length	1 Door	3 Pan
KRP-32S	32" Length	1 Door	4 Pan
KRP-48S	48" Length	1 Door	6 Pan
KRP-65S	65" Length	2 Door	8 Pan
KRP-72S	72" Length	2 Door	9 Pan
KRP-89S	89" Length	3 Door	12 Pan
KRP-96S	96" Length	3 Door	13 Pan
KRP-113S	113" Length	4 Door	15 Pan

Features & Benefits

- » Patented Technology – Designed with refrigeration running through each divider bar to ensure direct contact with condiment pans, always keeping food fresh and preventing waste.
- » Flush Mounted Design – Heavy duty stainless steel flush mounted raised rail with slight slope. Prevents corrosion and deterioration from foods (acid based foods) spilling into pan chiller compartment and also makes pans easier to reach.
- » Maximum Versatility – Can be designed to accommodate various pan configuration/sizes depending on menu requirements (horizontal divider bars available).
- » Storage Capacity – Our evaporator coils are recessed into storage compartment back walls to allow superior refrigeration flow for stored pans.
- » Separate Controls – We provide optimum cooling control by providing separate controls for pan chiller and another for the base storage compartment.

Optional Features

- » Drawers in lieu of doors
- » Horizontal divider bars to hold 1/3, 1/6 or 1/9 size pans
- » Door locks and hinging
- » Legs in lieu of casters
- » Lift off night cover
- » Export voltage
- » Remote option
- » Stainless steel back
- » Over-shelf
- » Double over-shelf



KRP / 5-18-2010
Made in the U.S.A.

Product Specifications

DIMENSIONAL DATA	KRP-27S	KRP-32S	KRP-48S	KRP-65S	KRP-72S	KRP-89S	KRP-96S	KRP-113S
Length in.	27	32	48	65	72	89	96	113
Depth in.	32	32	32	32	32	32	32	32
Height on 6" casters in.	42	42	42	42	42	42	42	42
Drawers per Cabinet	1	1	1	2	2	3	3	4
Cubic ft.	5.2	7.5	8.0	14.8	14.8	23	23	31.6
Pan Capacity 1/3 size pans	3	4	6	8	9	12	13	15

ELECTRICAL DATA

Voltage	115/60/1	115/60/1	115/60/1	115/60/1	115/60/1	115/60/1	115/60/1	115/60/1
Full Load Amperes	9.6	9.6	11.7	12.7	12.7	12.8	12.8	20.3
NEMA	5-15P	5-15P	5-15P	5-20P	5-20P	5-20P	5-20P	5-30P

REFRIGERATION DATA

Refrigerant	R-134a	R-134a	R-134a	R-404a	R-404a	R-404a	R-404a	R-404a
H.P.	1/3	1/3	1/3	1/2	1/2	1/2	1/2	3/4

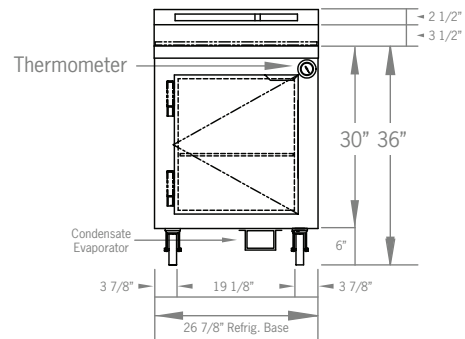
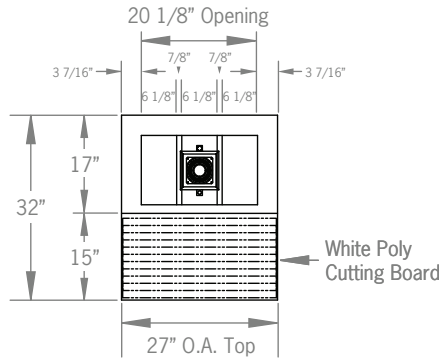
SHIPPING DATA

Shipping Weight	327	350	450	550	620	720	750	850
-----------------	-----	-----	-----	-----	-----	-----	-----	-----

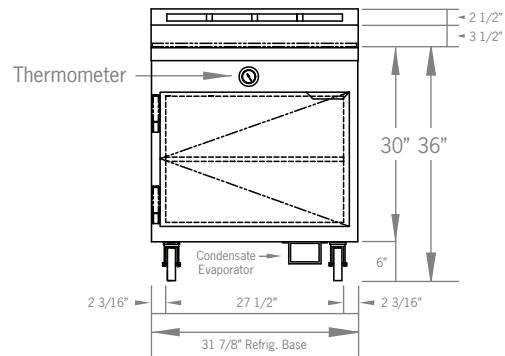
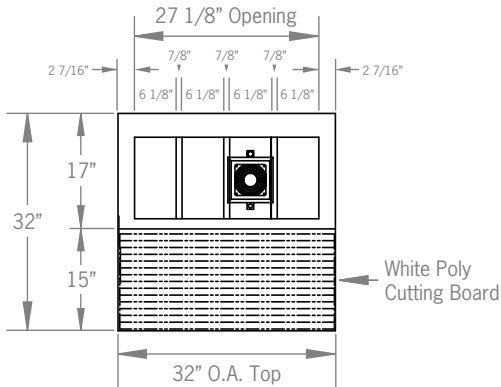
Comments:

Prep Tables

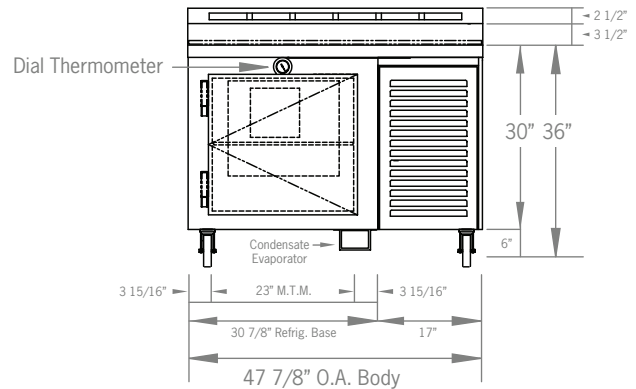
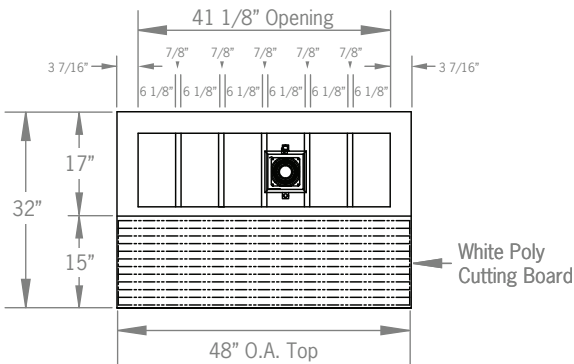
KRP-27S
Plan and Elevation View



KRP-32S
Plan and Elevation View



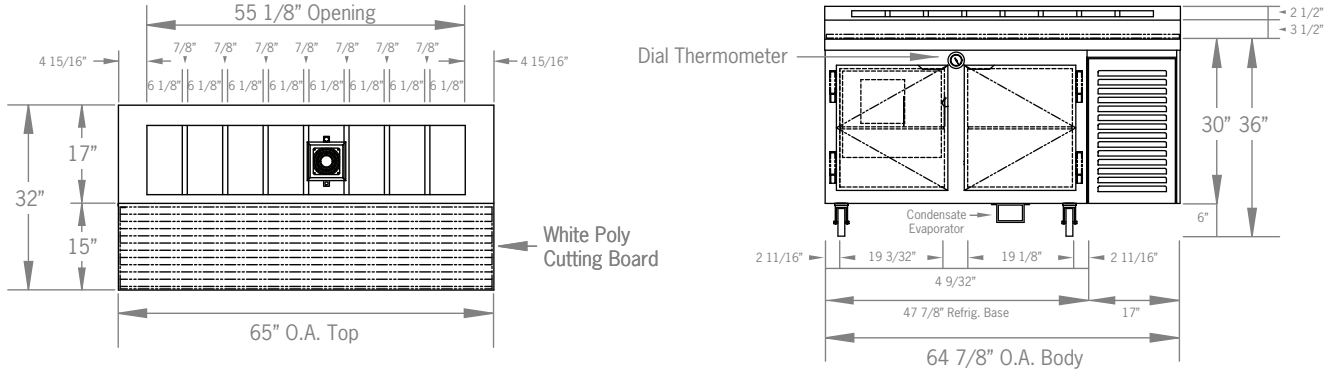
KRP-48S
Plan and Elevation View



Prep Tables

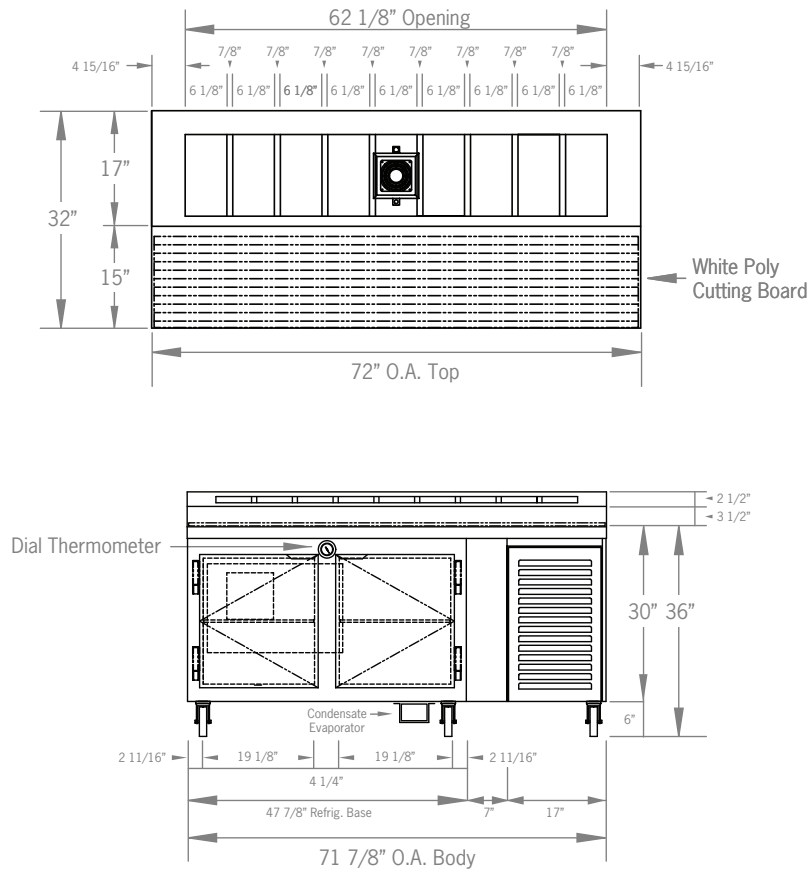
KRP-65S

Plan and Elevation View



KRP-72S

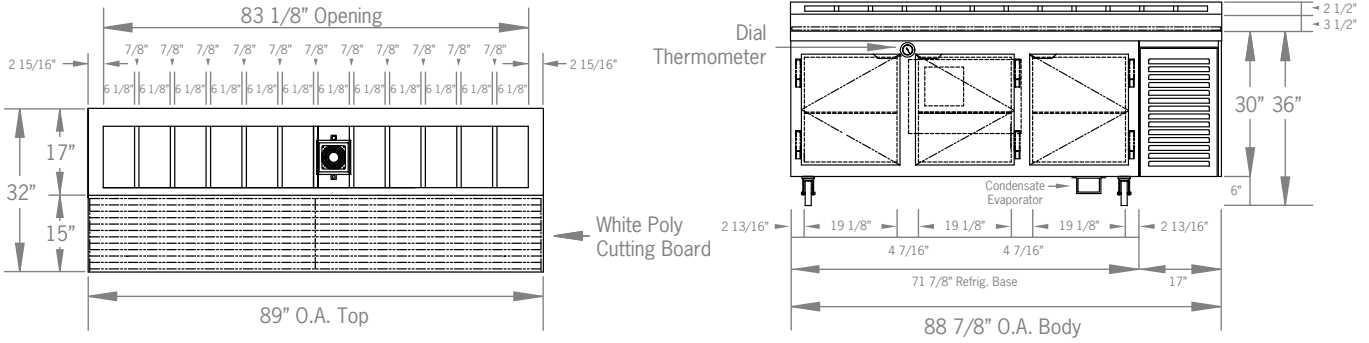
Plan and Elevation View



Prep Tables

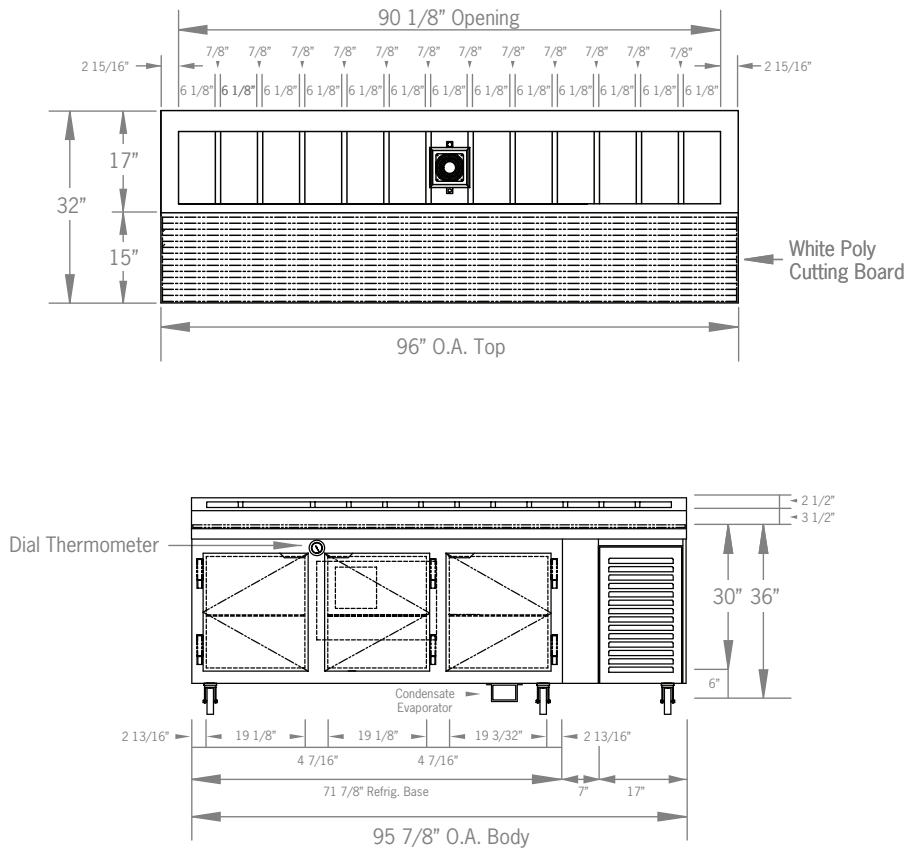
KRP-89S

Plan and Elevation View



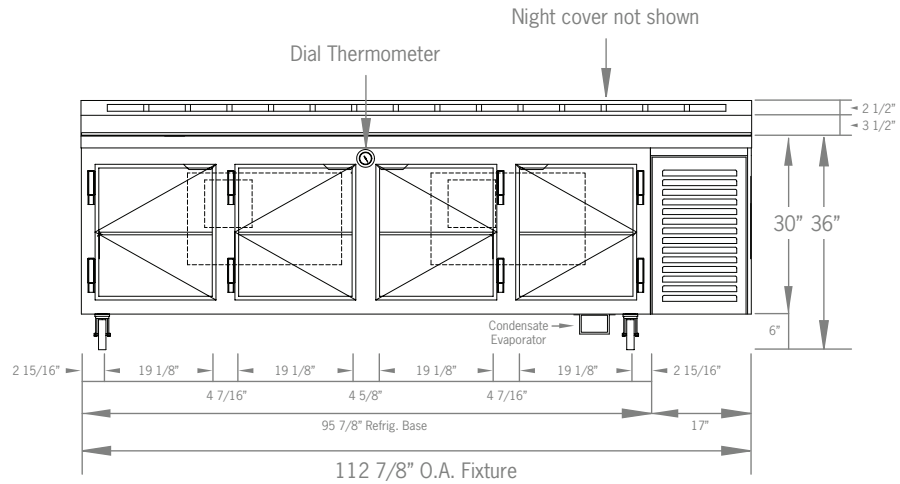
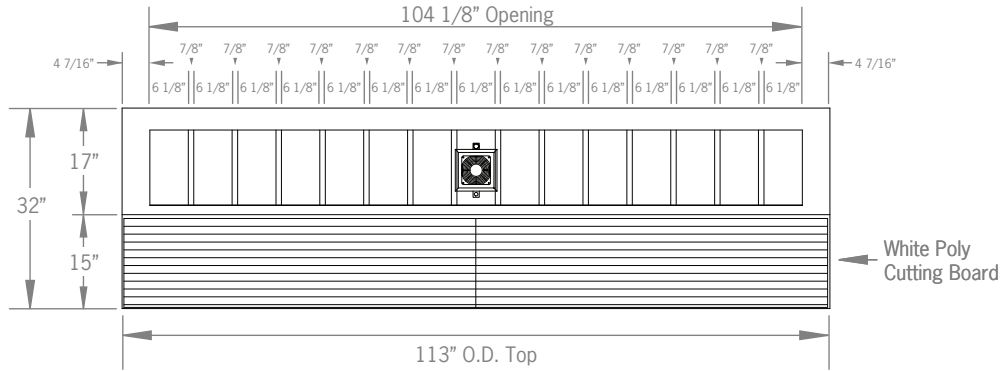
KRP-96S

Plan and Elevation View

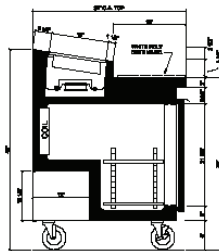


Prep Tables

**KRP-113S
Plan and Elevation View**



**Rear Mount
Compressor Model**



**Side Mount
Compressor Model**

