

Model KIR10T

Models**INDOOR RAK TRIPLE TIER MODELS**KIR10T
KIR12T**Product Details****SPECIFICATIONS**

Kairak offers an extensive line of remote refrigeration systems for various applications and environmental conditions. Remote systems provide great benefits to any operations by removing heat and noise of multiple compressors from the retail area or kitchen space thus reducing air conditioning and operating costs.

REFRIGERATION UNITS

Water-cooled compressors are hermetic/glacier scroll type (Copeland). Each unit is equipped with high-low pressure control, liquid drier, sight glass & head pressure control.

All compressor units are new factory assembled to operate with the refrigerant specified in the engineering summary sheet. Refrigerant R-404a is used on all commercial temperature units and low temperature units.

PRE-PIPING

All refrigerant lines are extended to one the right side of the package in a neat and orderly manner. Suction line for medium and low temperature units must be insulated with Armaflex (3/4" thick).

All tubing is securely supported and anchored with clamps.

Silver Solder and/or sil-fos used for all refrigerant piping. Soft solder is not acceptable.

All piping is pressure tested with nitrogen at 100 PSI. After the condensing unit and coil have been connected, the balance of the system is leak tested with all valves open.

Control Panel

The package is factory mounted and pre-wired control panel complete with main disconnect breaker switch, compressor circuit breakers, fuses, contractors and time clocks wired for single point connection.

Electrical contractor shall provide and install main power lines to panel and provide wire harness wiring for control and defrost heater between the defrost clock and the refrigerant fixtures. All in accordance with the wiring diagram and local codes and shall ensure that main power feed enters refrigeration equipment through same pitch pocket as the refrigeration lines.

EVAPORATOR COIL

Evaporator coils are direct expansion type fabricated of copper tubes with aluminum fins. All evaporator coils are provided with solenoid valve, thermostatic expansion valve and thermostat. Piped and wired to the junction box for positive pump down.

WARRANTY

Five (5) Year Compressor. Ninety (90) Day Parts and Labor Standard.

Features

- » Compressors are installed on a heavy-duty frame.
- » Fabricated of structural steel.
- » Frame is pre-assembled, welded, cleaned and epoxy coated.
- » Water-condenser is designed for 10° FTD.

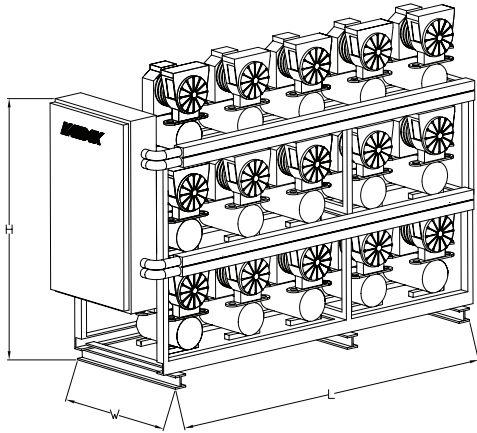
Options

- » Liquid Line Solenoid
- » Emergency water by-pass
- » Other sizes available 10'-12' in length
- » Depth and height of units can be fabricated for jobsite conditions
- » Semi-hermetic compressors

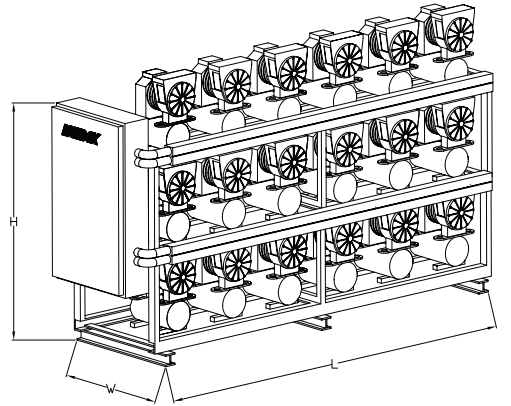


Remote Refrigeration Systems (KIR Series)

KIR10T Model



KIR12T MODEL



Product Specifications

DIMENSIONAL DATA	KIR10T	KIR12T
Length - in.	120	144
Depth - in.	45	45
Height in.	84	84

Electrical & refrigeration data varies on product configuration.

Consult factory for product data.