

# EXPRESS EURO DELI

ITEM: \_\_\_\_\_ QUANTITY: \_\_\_\_\_

## ANNAPOLIS MODEL # SCXAD

SCXAD - Shown with optional stainless steel exterior and full view glass end panels.

### SPECIFICATIONS

The SCXAD is a refrigerated display case designed with a mezzanine shelf within the refrigerated product zone. Available with a choice of standard grade plastic laminate exterior ends and lift-up curved tempered front glass for easy cleaning and stocking.



Available depths:  43 7/8"

Available lengths:  51 1/8"  63 1/8"  75 1/4"  
 99 1/4"

NOTE: Cannot fit through a 36" opening.

### STANDARD FEATURES

- Lift-Up Front Glass
- Self-Contained Refrigeration
- Mezzanine Glass Shelf with Light
- Stainless Steel Noser Panel
- Stainless Steel Back
- Standard Grade Laminate Exterior
- Top Canopy Light
- Stainless Steel Deck Pan
- Solid End Panels with Brushed Aluminum Interior Ends
- Plexi Rear Sliding Doors
- Rear Work Ledge with Zip Lite Cutting Board
- Black Base
- Thermometer
- Built-In Condensate Evaporator
- Cord and Plug
- 115V/60/Single Phase
- UL Listed in Accordance with NSF 7
- 134A Refrigerant

### OPTIONAL FEATURES

- Stainless Steel Exterior Finish
- Special Laminates
- Wood Veneers (Unfinished)
- Wood Veneers (Stained & Sealed)
- Miscellaneous Trim
- Front Glass Locks
- Rear Door Locks
- Promolux Lighting (Low UV)
- Brass Trim and Hardware
- Wire Shelf
- Casters
- Bullet Feet
- Glass End Panels
  - 1/2 Glass End Panels
  - Full Glass End Panels
- Mirrored Polished Stainless Interior Ends
- Mirrored Plexi Rear Doors
- Step Sham
- 5 Year Compressor Warranty
- Remote Refrigeration

### WHEN ORDERING, PLEASE SPECIFY:

APPLICATION: \_\_\_\_\_

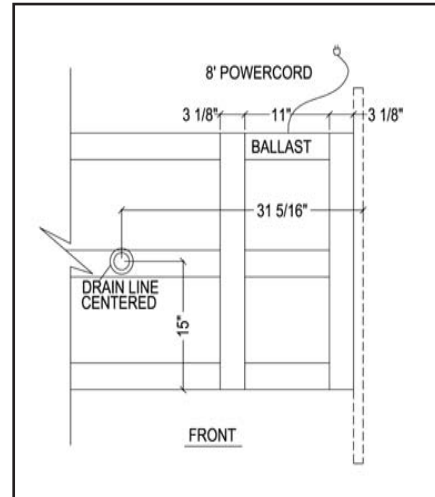
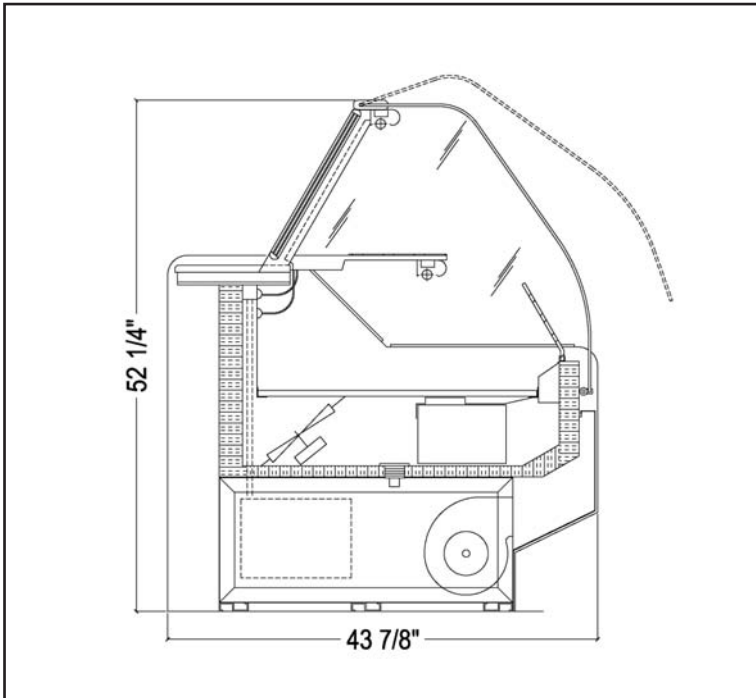
REFRIGERATION TYPE: \_\_\_\_\_

LAMINATE COLOR: \_\_\_\_\_

# EXPRESS EURO DELI

TOLL FREE: 800-525-3692

## ANNAPOLIS MODEL # SCXAD



### Electrical & Plumbing locations



Refrigerated Case Display 67C9 Listed  
 Also classified by Underwriters Laboratories Inc.  
 In Accordance with ANSI/NSF 7-1999 and ANSI/NSF 2-1999

MODEL	L	D	H	COMP HP	VOLT	AMP	NEMA PLUG	WT
SCXAD48R	51 1/8	43 7/8	52 1/4	1/3	115V	10.4	5-15P	610
SCXAD60R	63 1/8	43 7/8	52 1/4	1/3	115V	10.4	5-15P	800
SCXAD72R	75 1/4	43 7/8	52 1/4	1/2	(2) 115V	12.8/8.3	5-20P/5-15P	800
SCXAD96R*	99 1/4	43 7/8	52 1/4	1/2	115V	13.4	5-20P	900

\* SCXAD96R requires a floor drain. No evaporation pan available.

The SCXAD merchandiser is designed for use in stores where temperature and humidity do not exceed 75 degrees F and 55% R.H. Locate away from direct sunlight, rapid air currents and extreme temperature changes. If rear doors are removed, temperature will not remain stable. Any adverse conditions will affect warranty.

RPI in line with it's policy to continually improve it's product reserves the right to change materials and specifications without notice.

CALL TOLL FREE: 800-525-3692 (609-714-2330)

FAX: 609-714-2331 [www.regalpinnacl.com](http://www.regalpinnacl.com)

220 ROUTE 70, MEDFORD, NJ 08055

