

EXPRESS EURO DELI

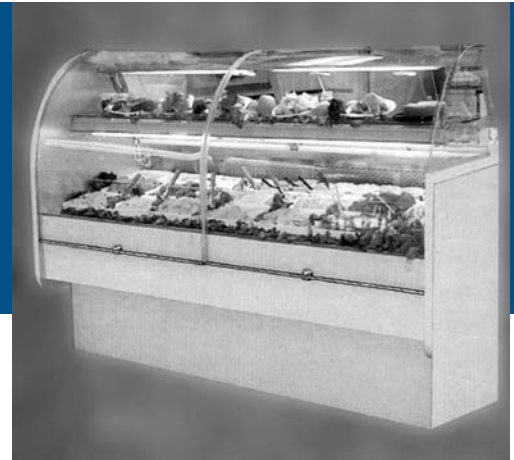
ITEM: _____ QUANTITY: _____

MONACO II MODEL # SCXMD-II

SCXMD-II - Shown with optional half glass end panel and solid end panel.

SPECIFICATIONS

The SCXMD-II is a refrigerated display case designed with a non refrigerated mezzanine. Available with a choice of standard grade plastic laminate exterior ends and lift-up curved tempered front glass for easy cleaning and stocking.



Available depths: 43 7/8"

Available lengths: 47 3/8" 59 3/8" 71 3/8"

91 3/4"

NOTE: Cannot fit through a 36" opening.

STANDARD FEATURES

- Lift-Up Glass
- Self-Contained Refrigeration
- Mezzanine Glass Shelf with Light
- Stainless Steel Noser Panel
- Standard Grade Laminate Exterior
- Top Canopy Light
- Tempered Glass Shelf with Lights
- Stainless Steel Deck Pan
- Rear Plexi Sliding Doors
- Rear Work Ledge with Zip Lite Cutting Board
- Black Base
- Thermometer
- Built-In Condensate Evaporator
- Cord & Plug
- UL Listed in Accordance with NSF 7
- 134A Refrigerant
- Solid End Panels with Brushed Aluminum Interior Ends

OPTIONAL FEATURES

- Stainless Steel Exterior Finish
- Special Laminates
- Wood Veneers (Unfinished)
- Wood Veneers (Stained & Sealed)
- Miscellaneous Trim
- Front Glass Locks
- Rear Door Locks
- Promolux Lighting (Low UV)
- Brass Trim and Hardware
- Casters
- Bullet Feet
- Glass End Panels
 - 1/2 Glass End Panels Full Glass End Panels
- Mirrored Polished Stainless Interior Ends
- Mirrored Plexi Rear Doors
- Stainless Steel Step Sham
- 5 Year Compressor Warranty
- Remote Refrigeration

WHEN ORDERING, PLEASE SPECIFY:

APPLICATION: _____

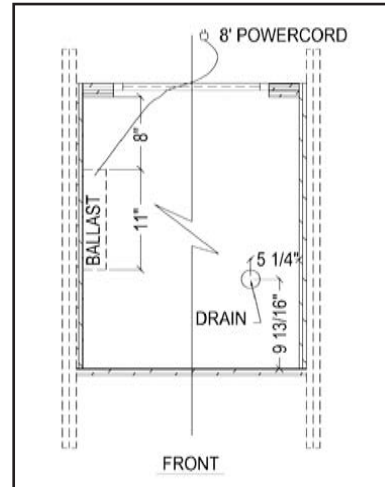
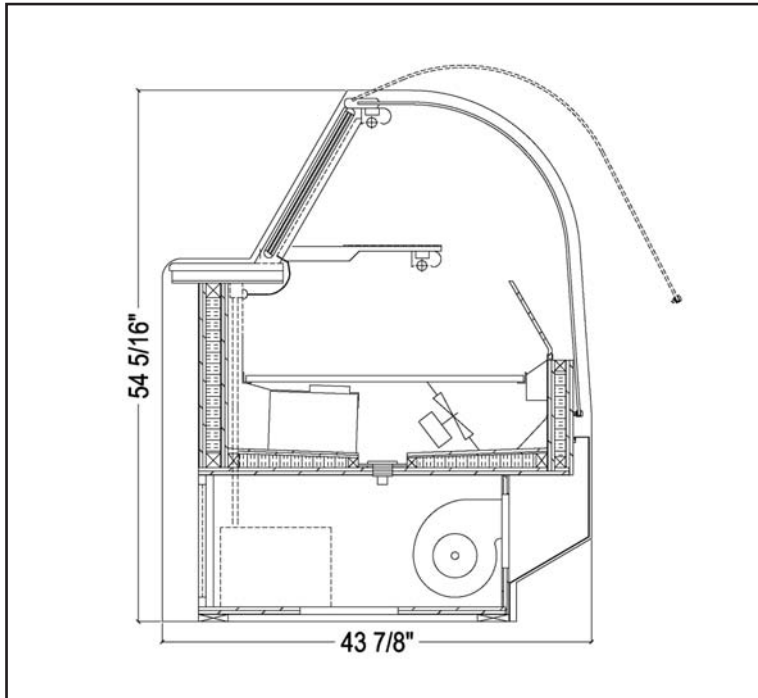
REFRIGERATION TYPE: _____

LAMINATE COLOR: _____

EXPRESS EURO DELI

TOLL FREE: 800-525-3692

MONACO II MODEL # SCXMD-II



Electrical & Plumbing locations



Refrigerated Case Display 67C9 Listed
Also classified by Underwriters Laboratories Inc.
In Accordance with ANSI/NSF 7-1999 and ANSI/NSF 2-1999

MODEL	L	D	H	COMP HP	VOLT	AMP	NEMA PLUG	WT
SCXMD48R-II	47 3/8	43 7/8	54 5/16	1/3	115V	10.3	5-15P	570
SCXMD60R-II	59 3/8	43 7/8	54 5/16	1/3	115V	10.3	5-15P	650
SCXMD72R-II	71 3/8	43 7/8	54 5/16	1/2	(2)115V	12.8/8.3	5-20P/5-15P	745
SCXMD96R-II*	91 3/4	43 7/8	54 5/16	1/2	115V	13.3	5-20P	850

* SCXMD96R requires a floor drain. No evaporation pan available.

The SCXMD-II merchandiser is designed for use in stores where temperature and humidity do not exceed 75 degrees F and 55% R.H. Locate away from direct sunlight, rapid air currents and extreme temperature changes. If rear doors are removed, temperature will not remain stable. Any adverse conditions will affect warranty.

RPI in line with it's policy to continually improve it's product reserves the right to change materials and specifications without notice.

CALL TOLL FREE: 800-525-3692 (609-714-2330)

FAX: 609-714-2331 www.regalpinnacl.com

220 ROUTE 70, MEDFORD, NJ 08055

RPI REGAL
PINNACLE
INTEGRATIONS INDUSTRIES, INC.