

STRATUS III AIR SCREEN

ITEM: _____ QUANTITY: _____

MODEL # SCRFC-SSIII

SPECIFICATIONS

The SCRFC-SS III is designed as a self-select air screen in front with rear drop-in hot food wells and vertical glass protector guard with stainless steel posts. Choice of standard grade plastic laminate exterior ends.

NOTE: Glass and vertical posts shipped separately.



Available depths: 48"

Available lengths: 48" 72"

STANDARD FEATURES

- Self Contained Refrigeration
- Black Louvered Air Grill
- Brushed Aluminum Interior Ends
- Stainless Steel Removable Deck - Hemmed to Contain Spills
- Stainless Steel Perforated Back Panel
- Standard Grade Laminate Exterior - with T Mold Edge
- 1 Glass Shelf with Light
- Stainless Steel #4 Finish Vertical Posts with Clipped Tempered Glass
- Plastic Laminate Top with Removable ZipLite Cutting Board
- Floor Drain Required
- Thermometer

Hot Section

- Wet or Dry Application (Slim Line)
- Individual Heat Controls
- Infinite Switch
- Drain with Manifold
- Separate Electric Required

WHEN ORDERING, PLEASE SPECIFY:

APPLICATION: _____

REFRIGERATION TYPE: _____

REFRIGERATION TYPE: _____

LAMINATE COLOR: _____

OPTIONAL FEATURES

- Stainless Steel Exterior with Standard T-Molding
- Stainless Steel Rear Air Grill
- Wood Veneers (Stained & Sealed)
- Corian Top Stock Color
- Corian Top Non Stock Color
- Zodiac Top Stock Color
- Zodiac Top Non Stock Color
- Stainless Top

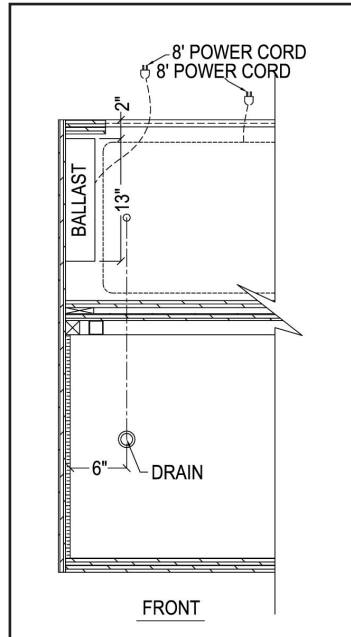
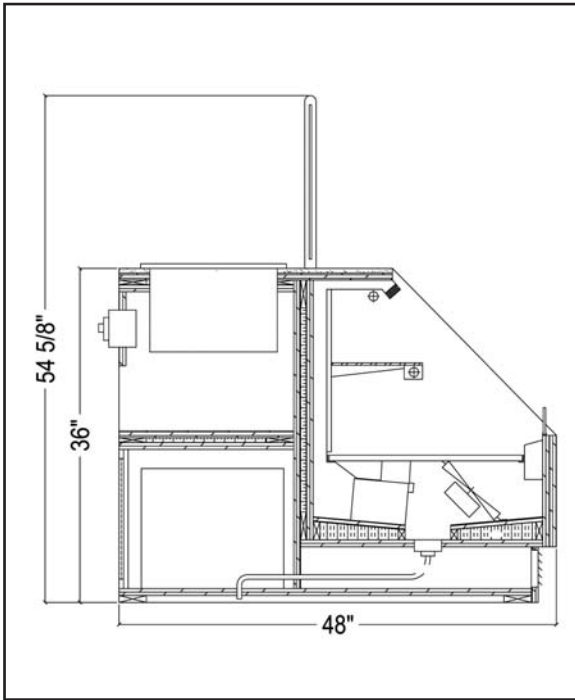
Air Screen Section

- Removable Locking Night Cover
- Pull Down Econo Night Shade
- Econofrost Night Shade
- Stainless Steel Step Sham
- Black Styrene Step Sham
- Top horizontal Stainless Steel Shelf on Protector Guard
- Top horizontal Corian Shelf on Protector Guard
- Promolux Lighting (Low UV)
- Stainless Steel Shelf
- #7 Mirrored Stainless Interior
- Casters
- Bullet Feet
- Remote Refrigeration
- 5 Year Compressor Warranty

STRATUS III AIR SCREEN

TOLL FREE: 800-525-3692

MODEL # SCRFC-SSIII



Electrical & Plumbing locations

Refrigerated Case Display 67C9 Listed
Also classified by Underwriters Laboratories Inc.
In Accordance with ANSI/NSF 7-1999 and
ANSI/NSF 2-1999

NOTE: Due to horsepower requirements, noise levels can reach 75 DB's. Please verify location. Tile floors, low ceilings, small rooms or multiple self-contained units will elevate the noise level. Remote refrigeration is recommended.

MODEL	L	D	H	COMP HP	VOLT	AMP	NEMA PLUG	WT
Hot Drop-In					208V	8.2	6-15P	
SCRFC48R-SS III	48	48	54 5/8	1/2	115V	11.5	5-15P	1850
Hot Drop-In					208V	12.3	L-6-20P	
SCRFC72R-SS III	72	48	54 5/8	3/4	115/208-230	9.0	L14-20P	2750

The SCRFC-SSIII merchandiser is designed for use in stores where temperature and humidity do not exceed 75 degrees F and 55% R. H. Locate away from direct sunlight, rapid air currents and extreme temperature changes. Exposure to air currents from ceiling fans, air conditioners, ovens, etc. will disrupt the case's air curtain and refrigerated zone within. Any adverse conditions will affect warranty. RPI in line with it's policy to continually improve it's product reserves the right to change materials and specifications without notice.

CALL TOLL FREE: 800-525-3692 (609-714-2330)

FAX: 609-714-2331 www.regalpinncle.com

220 ROUTE 70, MEDFORD, NJ 08055

