

MODEL # VIAP-CV

SPECIFICATIONS

The VIAP-CV is a drop-in air pan featuring a curved design. It is cooled by circulating a curtain of refrigerated air over the product in the display area to enable precise temperature control and maximum cold transfer to the food product. Accommodates standard hotel/foodservice pans. Available with or without raised air tower for slanted product display.



Available depths: 26 1/8" with Air Tower 27 3/8" without Air Tower

Available lengths: 36 1/2" 53 1/4" 69 1/2" 85 3/8"

Available heights: 29 3/4" 3 7/8" *Above counter with optional air tower

NOTE: All curved air pans must be supported from bottom of unit. Units are not designed as drop-in units.

STANDARD FEATURES

- 304 Stainless Steel Exterior
- Removable Top Trim Ring (Without Raised Tower Units)
- Adjustable Deck Pan to Convert to Slanted Display
- Easy Removable Deck Pans for Cleaning
- Adapter Bars for Standard Full-Size Pans (Pans Not Included)
- Programmable Digital Refrigeration Controller
- Self-Contained Refrigeration with Pull Out Compressor Housing
- Forced Air Cooling System
- Lift Up Evaporator
- ETL Listed in Accordance with UL 471 and NSF 7 Standards
- Environmentally Safe Refrigerant

OPTIONAL FEATURES

- Integrations Modular Counter (Consult Factory)
- Sneeze Guards (Consult Factory)
- Rear Air Ventilation Kit
- Front Air Ventilation Kit for Units Against Wall
- Raised Air Tower
- Remote Refrigeration
- 5 Year Compressor Warranty

WHEN ORDERING, PLEASE SPECIFY:

APPLICATION: _____

REFRIGERATION TYPE: _____

| MODEL | L | D | H* | PANS | COMP HP | VOLT | AMP | NEMA PLUG | WT | REFRIG |
|----------------|--------|--------|-------|------|---------|---------|-----|-----------|-----|--------|
| VIAP-2-R-CV-SC | 36 3/4 | 26 1/8 | 3 7/8 | 2 | 1/4 | 120V/60 | 4.2 | 5-15P | 191 | 134A |
| VIAP-3-R-CV-SC | 53 7/8 | 26 1/8 | 3 7/8 | 3 | 1/3 | 120V/60 | 4.9 | 5-15P | 240 | 134A |
| VIAP-4-R-CV-SC | 71 1/8 | 26 1/8 | 3 7/8 | 4 | 3/8 | 120V/60 | 6.3 | 5-15P | 277 | 134A |
| VIAP-5-R-CV-SC | 88 1/4 | 26 1/8 | 3 7/8 | 5 | 1/2 | 120V/60 | 7.1 | 5-15P | 364 | 134A |

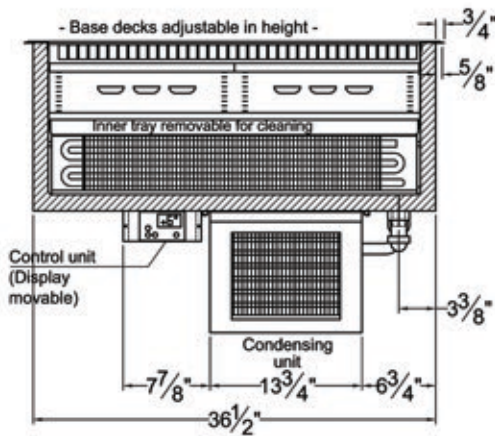
*Height is the air tower above the counter.

VIENNA CURVED AIR PAN

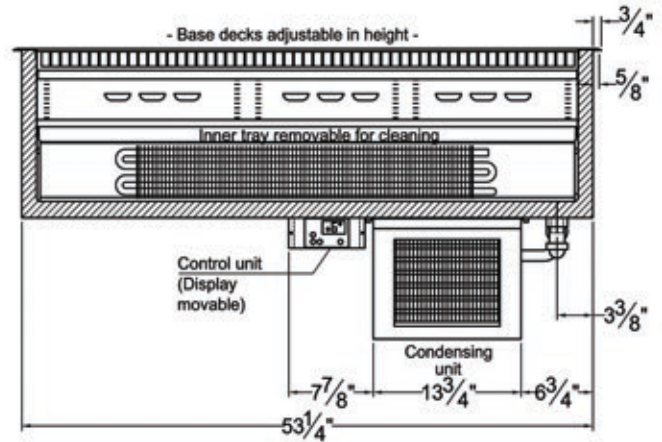
PROJECT:

TOLL FREE: 800-525-3692

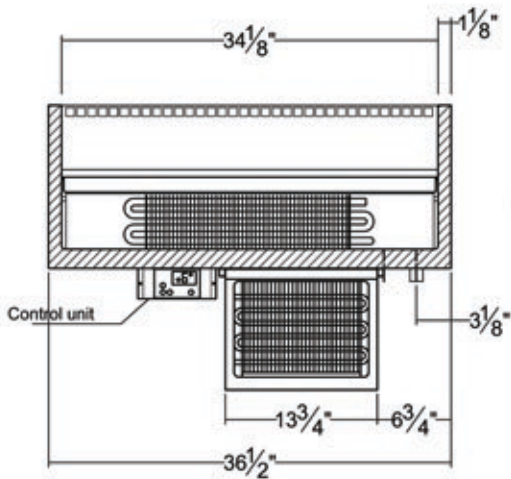
MODEL # VIAP-CV



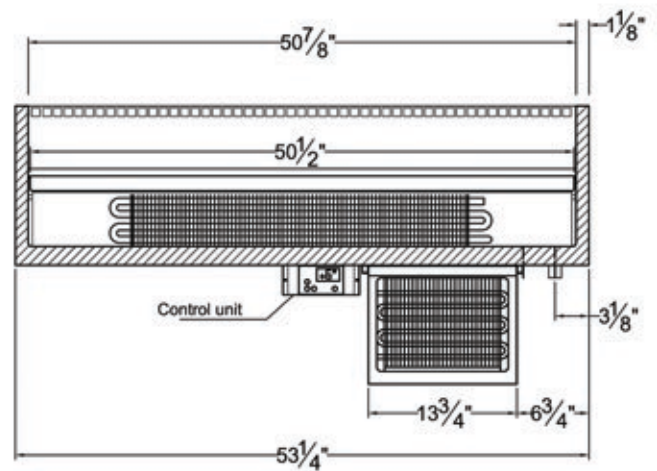
WITHOUT RAISED AIR TOWER



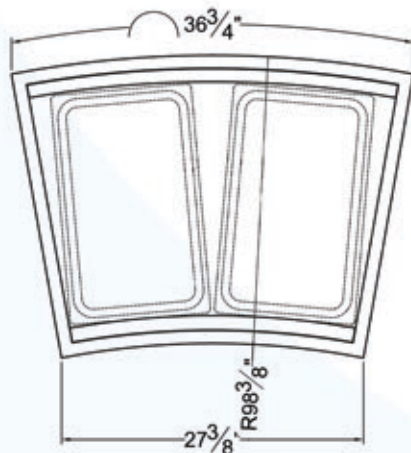
WITHOUT RAISED AIR TOWER



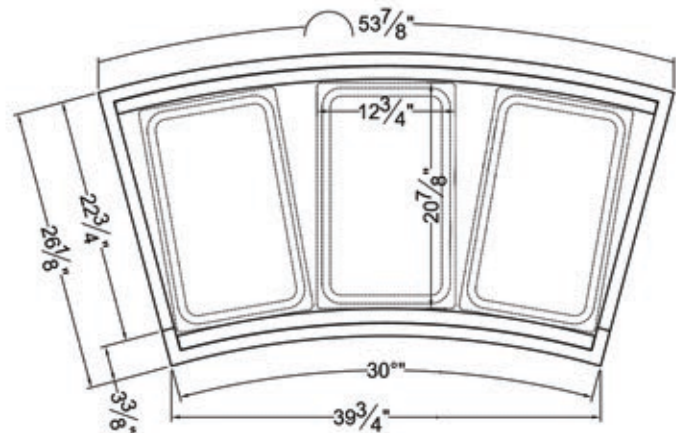
WITH RAISED AIR TOWER



WITH RAISED AIR TOWER



VIAP-2-0-R-SC



VIAP-3-0-R-SC

CALL TOLL FREE: 800-525-3692 (609-714-2330)

FAX: 609-714-2331 www.rpiindustries.com

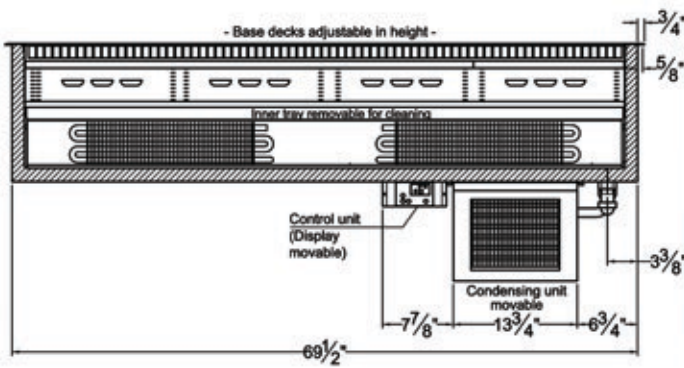
220 ROUTE 70, MEDFORD, NJ 08055

VIENNA CURVED AIR PAN

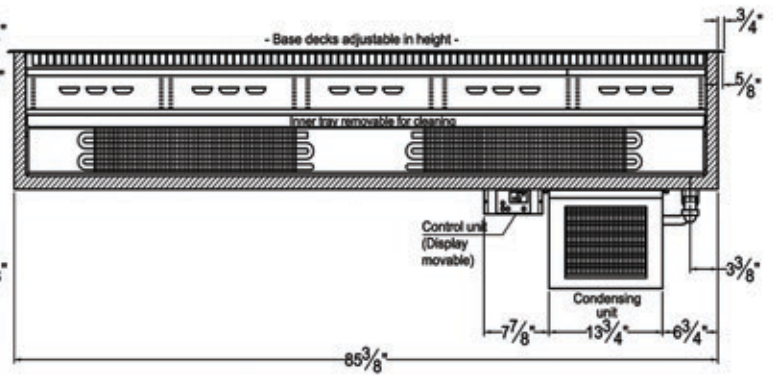
PROJECT: _____

TOLL FREE: 800-525-3692

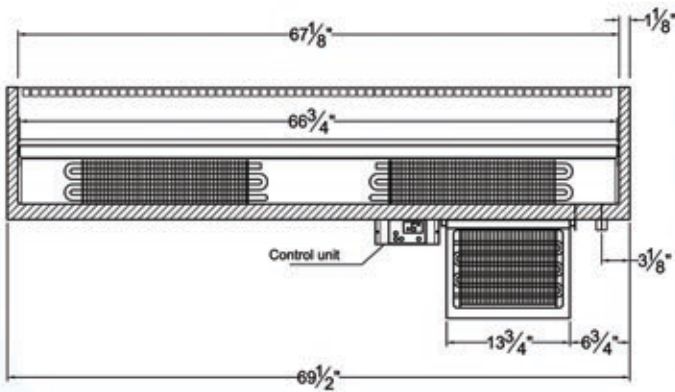
MODEL # VIAP-CV



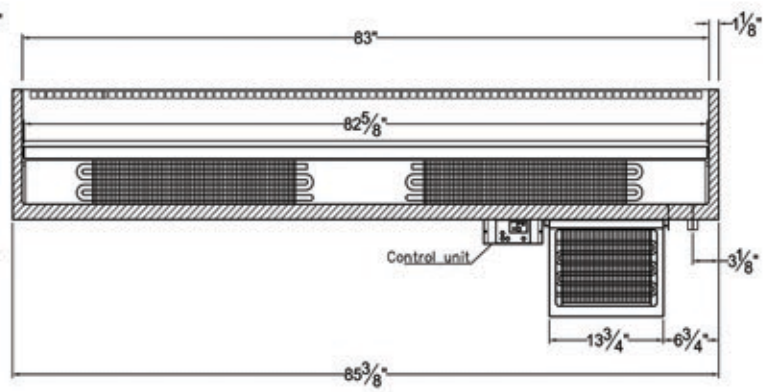
WITHOUT RAISED AIR TOWER



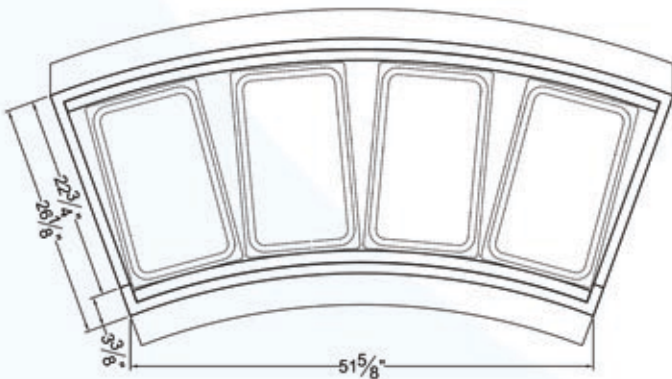
WITHOUT RAISED AIR TOWER



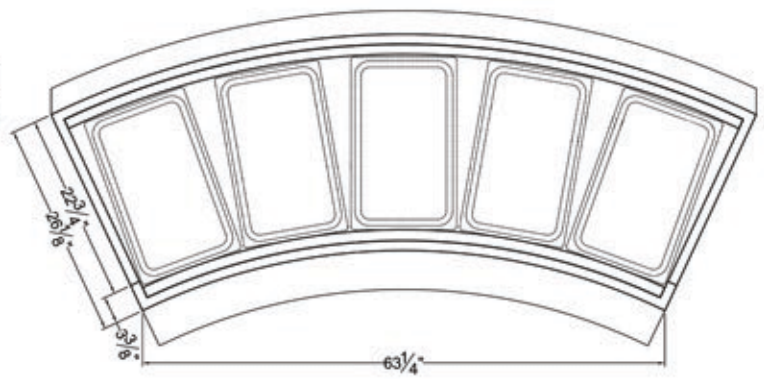
WITH RAISED AIR TOWER



WITH RAISED AIR TOWER



VIAP-4-0-R-SC



VIAP-5-0-R-SC

CALL TOLL FREE: 800-525-3692 (609-714-2330)

FAX: 609-714-2331 www.rpiindustries.com

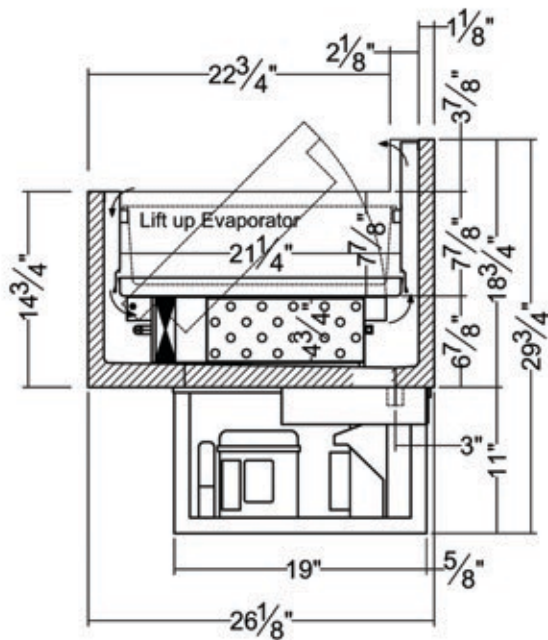
220 ROUTE 70, MEDFORD, NJ 08055

VIENNA CURVED AIR PAN

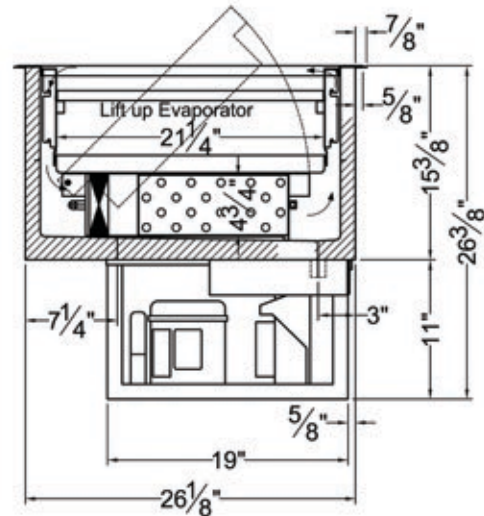
PROJECT: _____

TOLL FREE: 800-525-3692

MODEL # VIAP-CV



WITH RAISED AIR TOWER

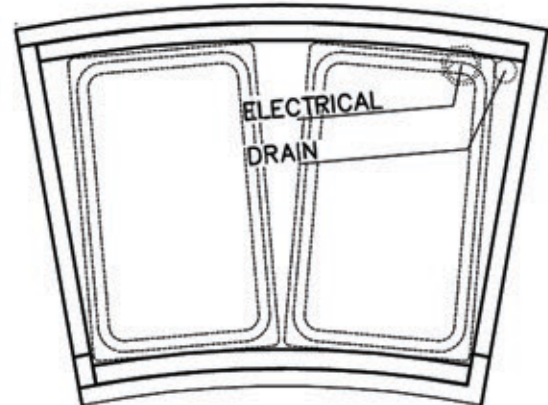


WITHOUT RAISED AIR TOWER

Electrical & Plumbing locations



Conforms to UL Standard 471,
and NSF Standard 7; Certified
To CSA Standard C22.2 No. 120



1. A 1" diameter drain is provided. The drain **MUST** be run to a floor drain **AT TIME OF INSTALLATION**.
2. Front and Rear ventilation louvers, each at least 25" W x 20" H, **MUST** be provided in the cabinet or counter and located so to provide full ventilation for the condensing unit. Refrigeration System is designed so air will flow rear to front. Unobstructed air flow must be maintained to ensure unit performance and maintain warranty.
3. RPI Merchandiser is designed for use in stores where ambient temperatures and humidity do not exceed 75 Degrees Fahrenheit and 55% R.H. Locate away from direct sunlight, rapid air currents and extreme temperature changes. Exposure to air currents from ceiling fans, air conditioning diffusers, ovens, etc. will disrupt the case air curtain and refrigerated zone. Refrigerated Displays are designed to maintain pre-chilled products. Adding or loading warm products above 41 Degrees Fahrenheit can affect the temperature in the entire cabinet.

RPI in line with its policy to continually improve its products reserves the right to change materials and specifications without notice.

CALL TOLL FREE: 800-525-3692 (609-714-2330)

FAX: 609-714-2331 www.rpiindustries.com

220 ROUTE 70, MEDFORD, NJ 08055

