

Project	Quantity	Item #
Model Specified:		CSI Section 11400

## Roll-Thru Double Depth Refrigerator Models/Self-Contained



Includes Traulsen's patented  
INTELA-TRAUL® control



Model RRI264LPUT-FHS

## Two & Three Section Roll-Thru Models - 64" Deep



Stainless Exterior  
& Interior

2-Section Refrigerator Model

RRI264LPUT-FHS

3-Section Refrigerator Model

RRI364LPUT-FHS

The R-Series "L-Height" Roll-Thru Double Depth Refrigerator line is designed to offer storage capacity and easy access for 66" high racks. They are supplied standard with all the Traulsen top of the line features, such as balanced refrigeration systems, next generation INTELA-TRAUL® controls and stainless steel exteriors. Additionally, they offer the widest range of optional accessories, and can be modified for many applications, such as: correctional, export, etc. Racks are not supplied by Traulsen.

## Standard Product Features

- Stainless Steel Exterior & Interior
- INTELA-TRAUL® Microprocessor Control System
- Balanced, Self-Contained Refrigeration System Using R-134A Refrigerant
- Full Length Stainless Steel Doors With Locks
- Self-Closing Doors With Stay Open Feature At 120 Degrees
- Guaranteed For Life Cam-Lift Hinges
- Guaranteed For Life Horizontal Work Flow Door Handle
- Standard Door Hinging: 232LP = F & R: Left/Right, 332LP = F & R: Left/Right/Right (other hings available)
- Automatically Activated Incandescent Lights
- Stainless Steel Breaker Caps
- Accommodates Roll-In Racks Up To 66" High (provided by others)
- Automatic Non-Electric Condensate Evaporator
- Magnetic Snap-In Door Gaskets
- Stainless Steel Door Liner
- Stainless Steel Interior Rack Guides
- Stainless Steel Threshold Ramps
- Controllable Anti-Condensate Door Perimeter Heaters
- Thermostatic Expansion Valve Metering Device
- Stainless Steel One-Piece Louver Assembly
- One Year Parts And Labor Warranty
- Two Year Control Warranty (parts and labor)
- Five Year Compressor Warranty

## Options & Accessories

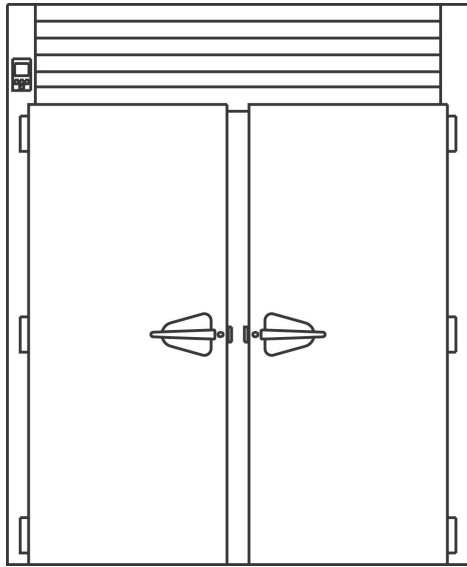
- Stainless Steel Finished Back With Rear Louvers
- Re-Hinging Feature For Doors
- Wire Shelf Package For Roll-In Model (includes three shelves per section)
- Additional Wire Shelves For Above
- Stainless Steel Shelf Package For Roll-In Model (includes three shelves per section)
- Additional Stainless Steel Shelves For Above
- Locking Hasps (padlocks supplied by others)
- Kool Klad Exterior Laminate Decor
- Prison/Correctional Facilities Options
- Remote Applications (see spec sheet TR35837 for more details)
- Two Year Service/Labor Warranty Available

Approval: \_\_\_\_\_

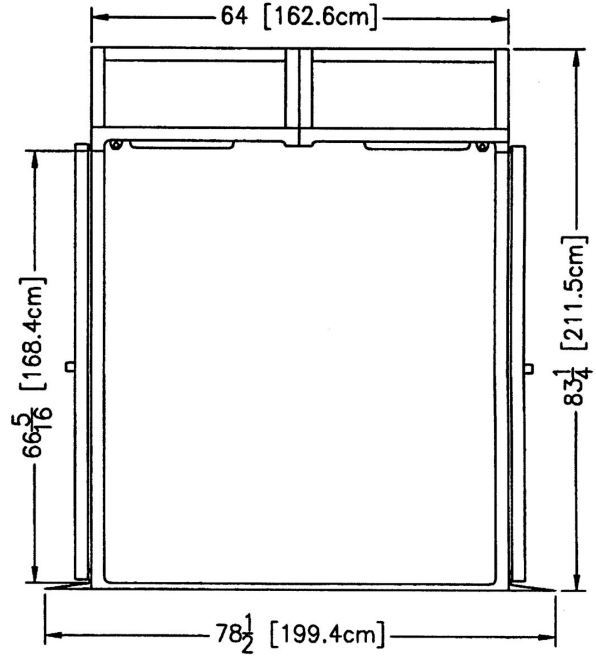


TRAULSEN  
4401 BLUE MOUND RD.  
PHONE 1 (800) 825-8220  
Website: www.traulsen.com

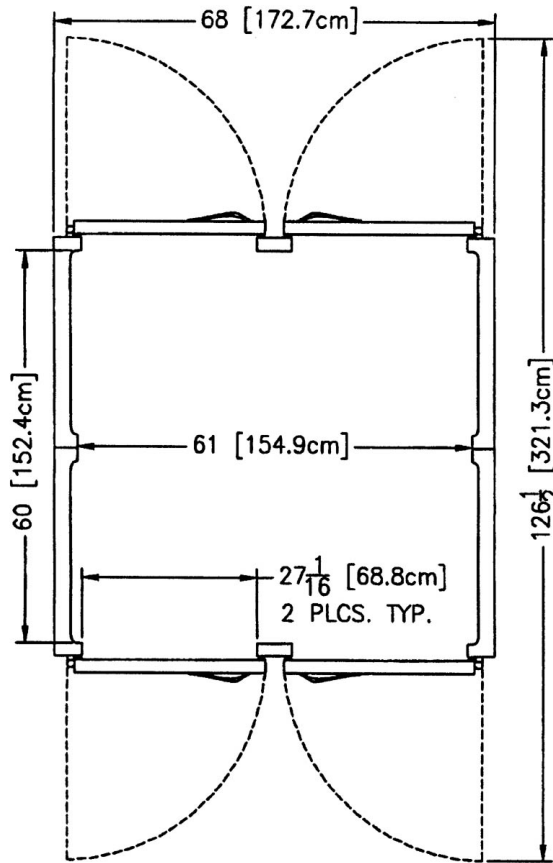
FT. WORTH, TX 76106  
FAX-MKTG. 1 (817) 624-4302



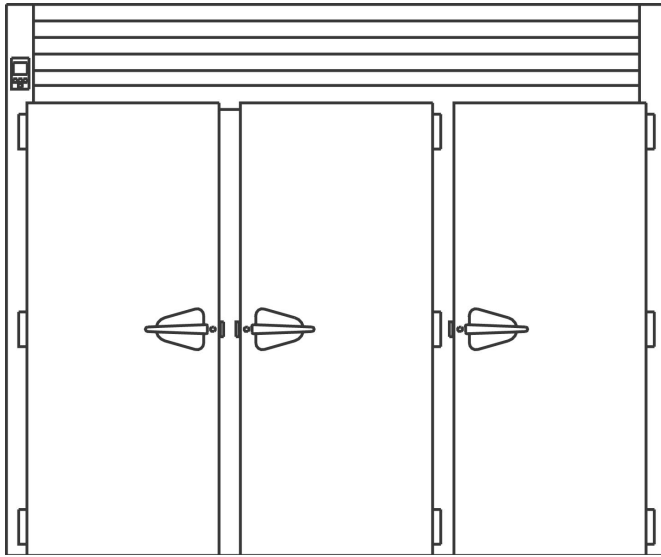
RRI264LPUT Front View



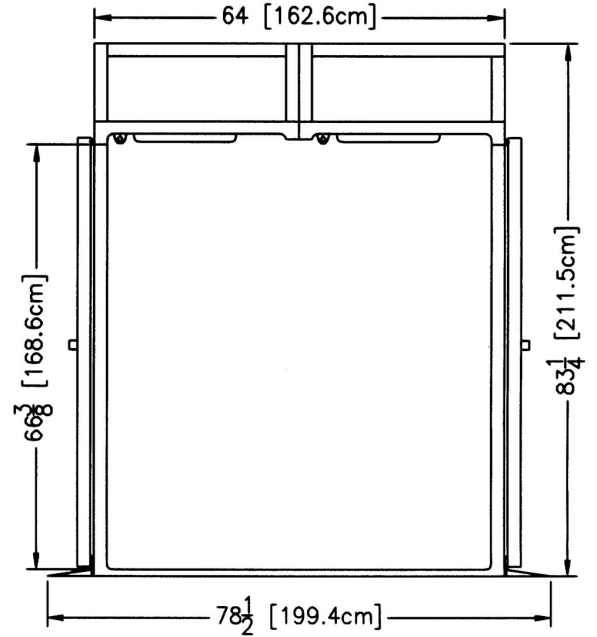
RRI264LPUT Side View



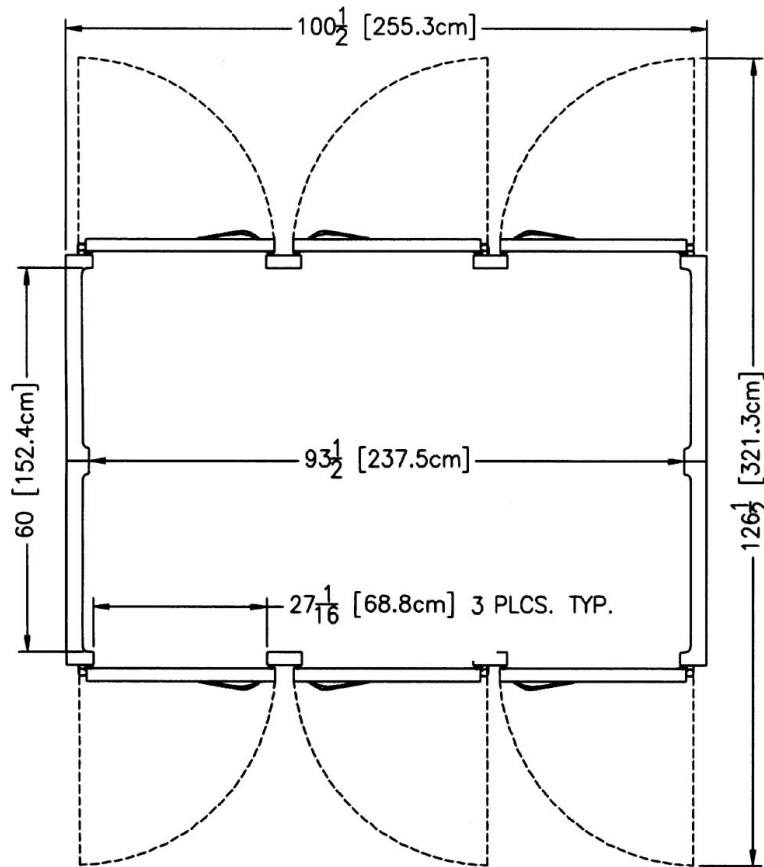
RRI264LPUT Top View



RRI364LPUT Front View



RRI364LPUT Side View



RRI364LPUT Top View



TRAUlsen  
 4401 BLUE MOUND RD.  
 PHONE 1 (800) 825-8220  
 Website: www.traulsen.com

FT. WORTH, TX 76106  
 FAX-MKTG. 1 (817) 624-4302

Project	Quantity	Item #
Model Specified:		CSI Section 11400

## Specifications

### Construction, Hardware and Insulation

Cabinet exterior, including front, one piece sides, louver assembly and doors are constructed of heavy gauge stainless steel. Cabinet interior and door liners are constructed of stainless steel. Exterior cabinet top and bottom are constructed of heavy gauge aluminized steel. The interior floor is constructed of stainless steel and insulated with ¾" of resilient cork. A readily attachable stainless steel ramp is provided.

Doors are equipped with heavy-duty, extruded wiper gasket for sealing to bottom ramp, removable plug cylinder locks and guaranteed for life cam-lift, gravity action, self-closing metal, glide hinges with stay open feature at 120 degrees. Hinges include a switch to automatically activate the interior incandescent lighting. Guaranteed for life, work flow door handle is mounted horizontally over recess in door which limits protrusion from door face into aiseways.

Easily removable for cleaning, vinyl magnetic door gasket assures tight door seal. Anti condensate heaters are located behind each door opening.

Cabinet and door contains high density, non-CFC, foamed in place polyurethane insulation.

DIMENSIONAL DATA	RRI264LPUT	RRI364LPUT
Net capacity cu. ft.	160.4 (4544 cu l)	243.0 (6884 cu l)
Length - overall in.	68 (172.7 cm)	100½ (255.3 cm)
Depth - overall in.	71⅞ (180.6 cm)	71⅞ (180.6 cm)
Depth - over body in.	64 (162.6 cm)	64 (162.6 cm)
Depth - with door open 90 degrees in.	126½ (321.3 cm)	126½ (321.3 cm)
Clear door width in.	27⅞ (68.8 cm)	27⅞ (68.8 cm)
Clear door height in.	66⅞ (168.4 cm)	66⅞ (168.6 cm)
Height - overall in.	83¼ (211.5 cm)	83¼ (211.5 cm)
Rack Capacity	4	6
Net Wt. lbs.	775 (352 kg)	1050 (476 kg)
ELECTRICAL DATA		
Voltage	208-230/115/60/1	208-230/115/60/1
Feed wires with Ground	4	4
Full load amperes	15.0	15.6
Wattage <sup>1</sup>	2157	2447
REFRIGERATION DATA		
Refrigerant	R-134a	R-134a
BTU/HR H.P. <sup>2</sup>	8400 (2 x ½ HP)	10240 (2 x ¾ HP)

### NOTES

NOTE: Figures in parentheses reflect metric equivalents.

- 1= Based on a 90 degree F ambient and 20 degree F evaporator.
- 2= Wattage is determined by listed amps X listed volts X an average run time of 70% for refrigerators and 80% for freezers.
- 3= For approximate remote weights deduct 40 lbs. from respective net or gross weight. For other information on remote models, please refer to spec sheet TR35837.
- 4= Shipped in two cartons for assembly at job site. For total shipping weight, double figure shown.

**NOTE: When ordering please specify: Voltage, Hinging, Door Size, Options and any additional warranties. For fast order entry: Fax 1 (800) 765-8728.**

Continued product development may necessitate specification changes without notice.  
Part No. TR35809 (revised 4/10)

### Refrigeration System

A top mounted, self-contained, balanced refrigeration system using R-134a refrigerant is conveniently located behind the one piece louver assembly. It features a plenum effect blower coil, large, high humidity evaporator coil located outside the food zone, and a top mounted non-electric condensate evaporator. Standard operating temperature is 36 to 38°F.

### Controller

The easy to use water resistant INTELA-TRAUL® microprocessor control system is supplied standard. Unit is NAFEM Data Protocol communication (NDP) ready. Optional hardware required to be NDP compliant. Third party software required for network connection. It includes a 3-Digit LED Display, Fahrenheit or Celsius Temperature Scale Display Capability, Defrost Lockout Feature and an RS485 data port. In addition it includes audio/visual alarms for: Hi/Lo Cabinet Temperature, Door Open, Clean Condenser, Evaporator Coil and Discharge Line Sensor Failures, and Power Supply Interruption.

### Interior

Readily removable, interior-mounted, stainless steel guides for rack are provided for protection. Maximum rack size with wheels inboard of frame is 27" wide by 29" deep by 66" high. Racks supplied by others.

### Warranties

Both a one year parts and labor warranty and a five year compressor warranty (self-contained models only) are provided standard. An optional 2<sup>nd</sup> year extended parts and labor warranty is also available. In addition the INTELA-TRAUL® control is warranted by a two year parts and labor warranty.

### REQUIRED CLEARANCES

In order to assure optimum performance, the condensing unit **MUST** have an adequate supply of air for cooling purposes. Therefore, the operating location must either have a minimum of 12" clearance overhead of the condensing unit or allow for unrestricted air flow at the back of the unit. Clearance of at least 12" above is required in order to perform certain maintenance tasks.

**TRAULSEN**  
4401 BLUE MOUND RD.  
PHONE 1 (800) 825-8220  
Website: www.traulsen.com

FT. WORTH, TX 76106  
FAX-MKTG. 1 (817) 624-4302

