



# STERO SD3T

## TALL DOOR-TYPE DISHWASHER



### STANDARD FEATURES

- .85 gallons per rack
- 58 racks per hour – hot water sanitizing
- Timed wash cycles for 1, 2 or 4 minutes
- Digital control status
- NSF pot and pan listed for 2 & 4 minute cycles
- 180° final rinse assurance
- 70°F rise electric booster heater
- 27" door opening for 18" x 26" sheet pans or 60 quart mixing bowl
- Interchangeable upper and lower wash and rinse arms
- Automatic tank fill
- Door actuated start
- Automatic drain closure
- Exhaust fan control and booster activation included
- Stainless steel construction
- Error notification
- Straight-through or corner operation
- Hot water sanitization
- Pressure gauge

### OPTIONS & ACCESSORIES

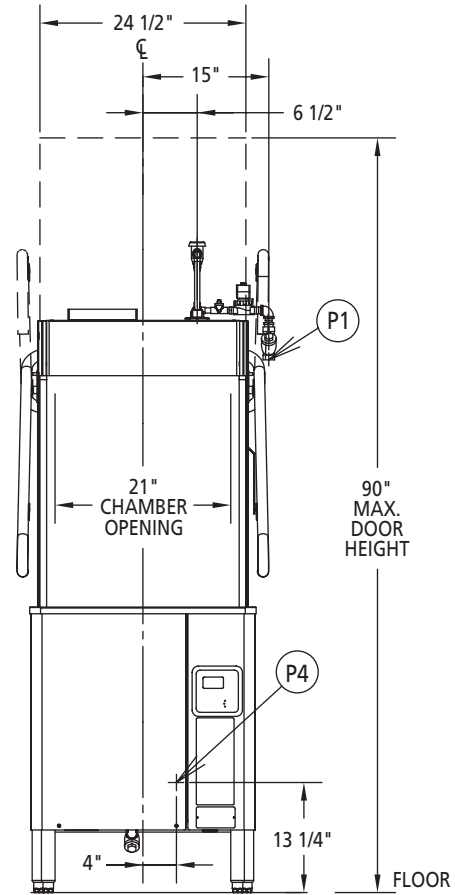
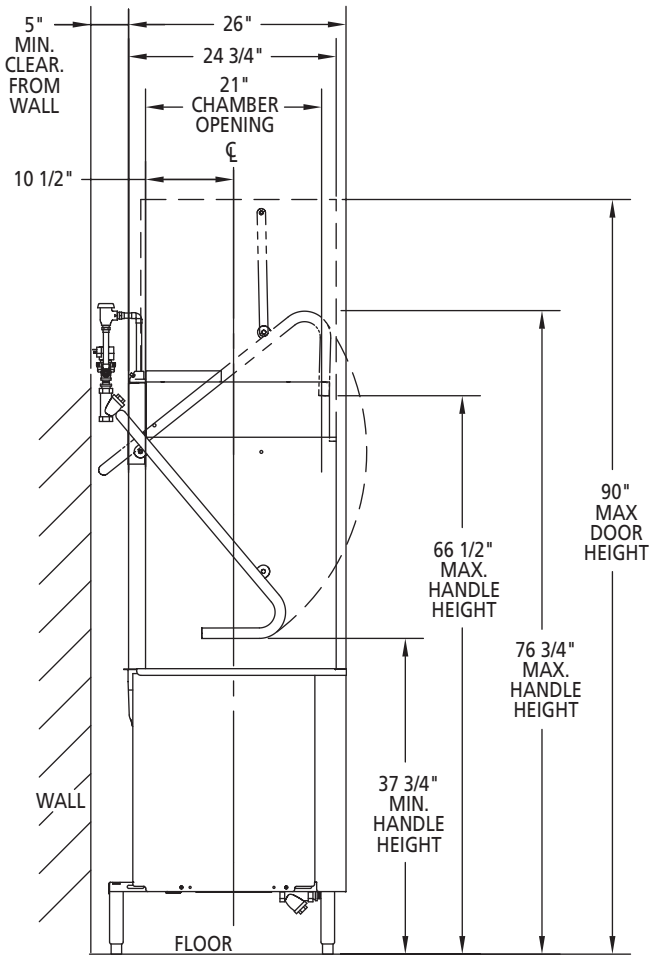
- Drain water tempering kit
- Splash panel kit (for corner installation)
- Seismic feet
- Single point electrical conversion kit
- Pressure reducing valve
- Water hammer arrestor kit



MACHINE RATINGS	SD3T Hot Water Sanitizing
<b>Racks per Hour</b> <i>(Maximum)</i>	58
<b>Wash Motor H.P.</b>	2
<b>Electric Heating Unit</b> <i>(Regulated)</i>	5 KW
<b>Electric Booster Heater</b>	8.5 KW
<b>Rate of Rinse Flow</b> – Gallons per Minute – at 20 PSI Flow Pressure	5.1
<b>Rinse Cycle</b> – Gallons per Rack – at 20 PSI Flow Pressure	.85 – 180°F Minimum
<b>Peak Rate of Drain Flow</b> – Gallons per Minute <i>(Initial rate with full tank)</i>	14
<b>Incoming Water Temperature Required</b> <i>(Minimum)</i>	110°F
<b>Exhaust Requirements</b>	450cfm
<b>Shipping Weight</b> <i>(Approximate)</i>	384 lbs. (with booster)
<b>Crated Dimensions</b>	41.5"L x 35.5"W x 82"H

# STERO SD3T

## TALL DOOR-TYPE DISHWASHER

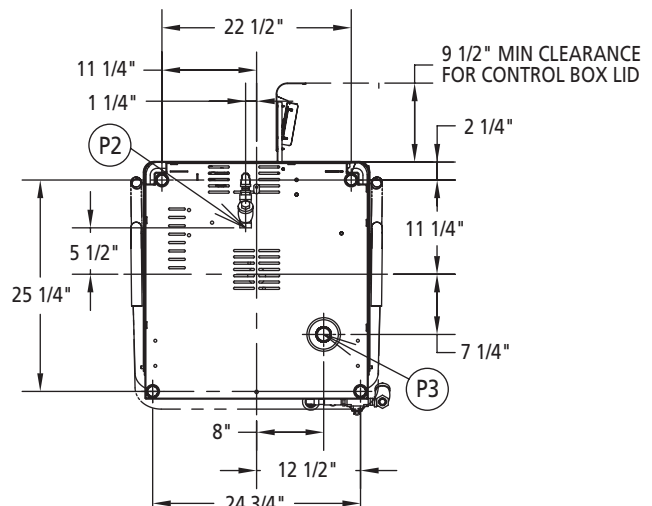


### CONNECTION INFORMATION

(\*AFF - ABOVE FINISHED FLOOR)

#### LEGEND

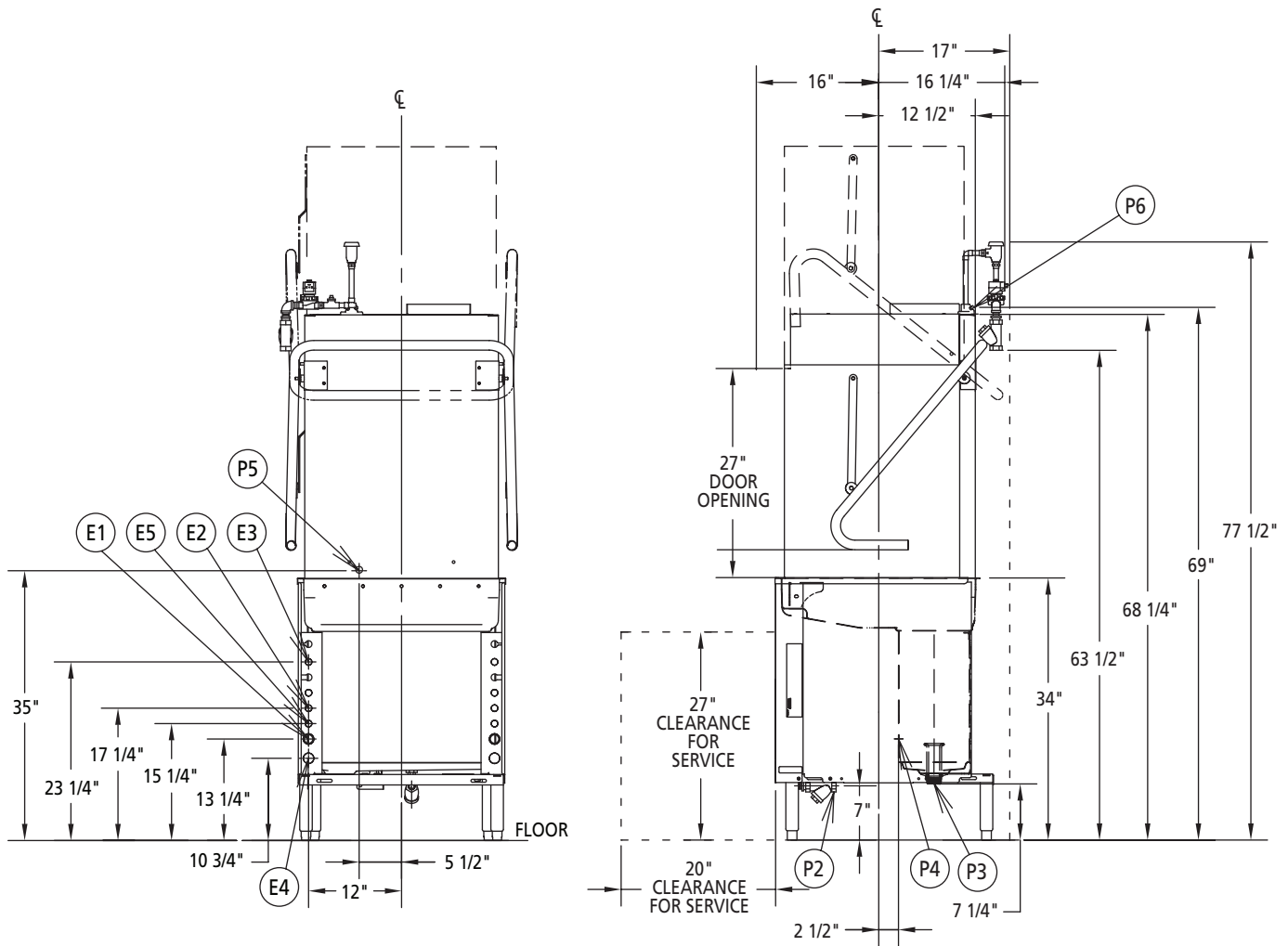
- E1 ELECTRICAL CONNECTION: MOTORS & CONTROLS (INCLUDING ELECTRIC HEAT). 1" OR 3/4" CONDUIT HOLE.
- E2 ELECTRICAL CONNECTION: EXHAUST FAN CONTROL, 1/2" CONDUIT HOLE. (VFC1 & VFC2) 1.5 AMPS @ NAMEPLATE SUPPLY VOLTAGE, "ON"
- E3 ELECTRICAL CONNECTION: RINSE AGENT & SANITIZER FEEDERS, 1/2" CONDUIT HOLE (DPS1 & DPS2) 1.5 AMPS @ NAMEPLATE SUPPLY VOLTAGE, (RPS1 & RPS2) 1.5 AMPS @ NAMEPLATE SUPPLY VOLTAGE
- E4 ELECTRICAL CONNECTION: ELECTRIC BOOSTER, 1" CONDUIT HOLE.
- E5 ELECTRICAL CONNECTION: EXTERNAL BOOSTER CONTROL 1/2" CONDUIT HOLE. (BSTR1 & BSTR2) 0.1 AMPS @ 120 VAC
- P1 COMMON WATER CONNECTION: 120°F WATER MIN. 3/4" FPT. (180°F COMMON WATER CONNECTION W/O ELECTRIC BOOSTER).
- P2 COMMON WATER CONNECTION: (W/ELECTRIC BOOSTER) (110°F WATER MIN. HOT WATER SANITIZING); 3/4" FPT.
- P3 DRAIN: 1-1/2" NPT.
- P4 DETERGENT PROBE SENSOR: REMOVE CAP AND STUD ASSEMBLY TO ACCESS 7/8" HOLE
- P5 DETERGENT FEEDER: REMOVE CAP PLUG TO ACCESS 7/8" HOLE
- P6 RINSE AGENT FEEDER: 1/8" NPT, REMOVE 1/8" NPT PIPE PLUG TO ACCESS TAPPED HOLE.





# STERO SD3T

## TALL DOOR-TYPE DISHWASHER



### SD3T ELECTRIC HEAT, MOTORS & CONTROLS

ELEC. SPECS	RATED AMPS	MINIMUM SUPPLY CIRCUIT CONDUCTOR AMPACITY	MAXIMUM OVERCURRENT PROTECTIVE DEVICE
208-240/60/3	24.9	30	30
480/60/3	13.4	15	15

### ⚠ WARNING

Electrical and grounding connections must comply with the applicable portions of the National Electrical Code and/or other local electrical codes.

Plumbing connections must comply with applicable sanitary, safety and plumbing codes. Drain and fill line configurations vary, some methods are shown on this drawing.

### BOOSTER AMPACITY RATINGS 8.5KW

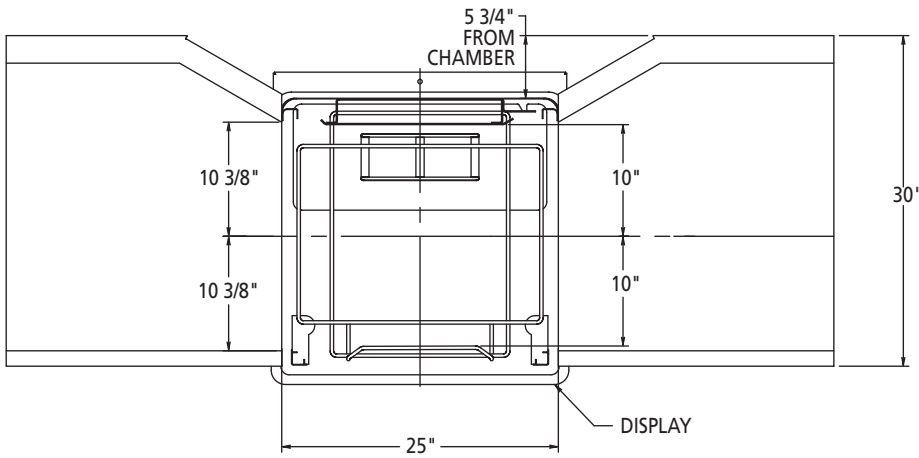
ELEC. SPECS	RATED AMPS	MINIMUM SUPPLY CIRCUIT CONDUCTOR AMPACITY	MAXIMUM OVERCURRENT PROTECTIVE DEVICE
208-240/60/3	20.4	30	30
480/60/3	10.2	15	15

### OPTIONAL SD3T SINGLE POINT ELECTRICAL SERVICE CONNECTION

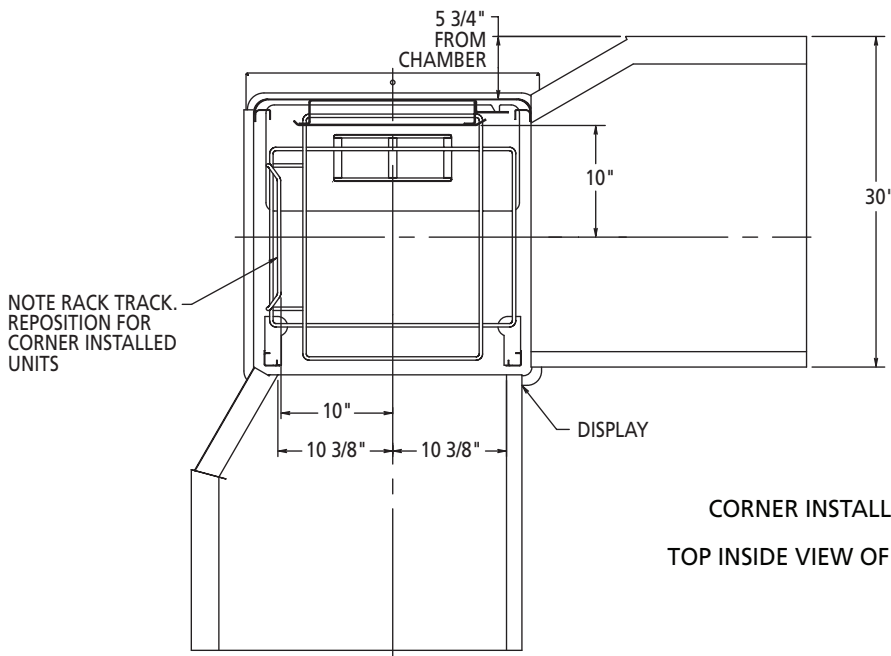
ELEC. SPECS.	RATED AMPS	MINIMUM SUPPLY CIRCUIT CONDUCTOR AMPACITY	MAXIMUM OVERCURRENT PROTECTIVE DEVICE
208-240/60/3	45.4	60	60
480/60/3	23.7	30	30

# STERO SD3T

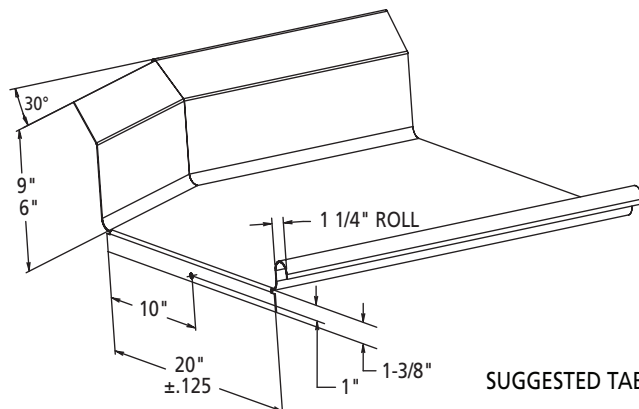
## TALL DOOR-TYPE DISHWASHER



PASS THRU INSTALLATION  
TOP INSIDE VIEW OF MACHINE



CORNER INSTALLATION  
TOP INSIDE VIEW OF MACHINE



SUGGESTED TABLE DESIGN

In line with its policy to continually improve its products, Stero reserves the right to change materials and specifications without notice.