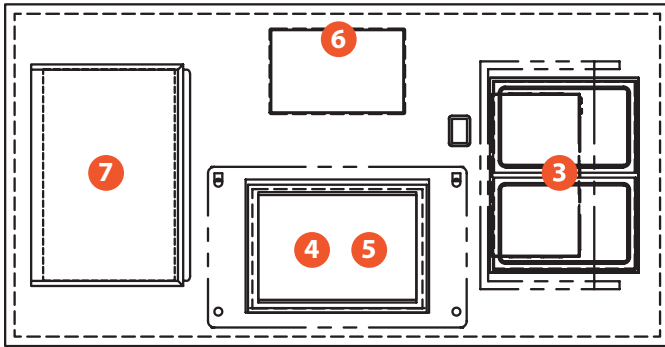
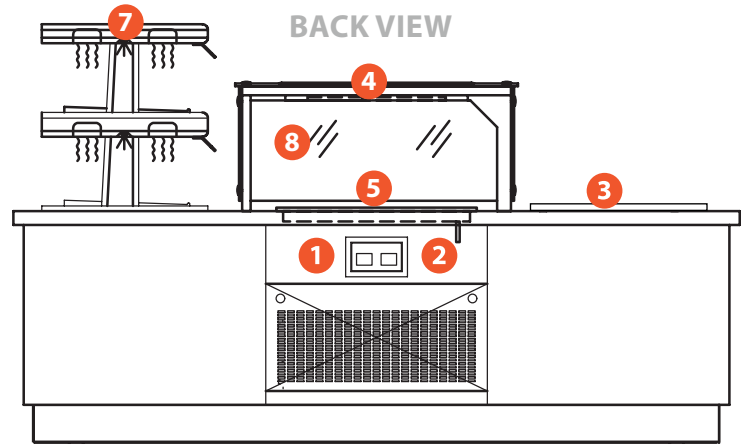


TOP VIEW



BACK VIEW



- 1 Connected Counter
- 4 HotFrost Overshelf
- 7 HotFrost Dual Tier
- 2 Sous Chef Controls
- 5 HotFrost Recessed Drop-In
- 8 BGA Food Guard
- 3 Waterless Wells
- 6 HotFrost Flush Stone

1 Connected Counter & 2 Sous Chef Controls



Connected Counters are the next step in kitchen connectivity and the evolution of kitchen management as we know it. In addition to featuring all the elements you want today, Connected Counters are also future-proof thanks to Sous Chef Controls.

- Easy to learn and use.
- Secure, password protected control access.
- Reduce downtime through regular monitoring & reporting.
- Serial numbers displayed on the screen, app, or cloud.
- Easy to request service using the Duke Mobile App.
- Link to part diagrams, videos, & manuals for service.
- Display warranty coverage status.
- Future proofed with remote firmware updating.

3 Waterless Wells



- Touchscreen with 3 pre-set temperatures
- Easy to clean non-stick liner (removable)
- Quick repairs thanks to single well design
- Heats 33% faster than traditional wet wells
- No water, no drain connection needed
- No drain means more mobility

4 HotFrost Overshelf

Ideal for using over serving equipment such as hot food wells, hot frost plates, and other setups.

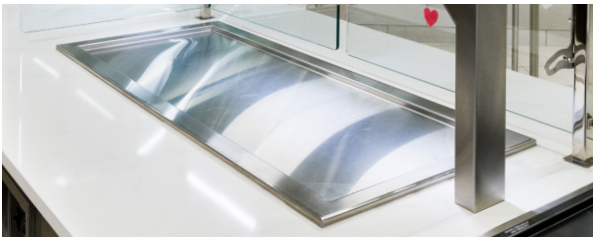


- Can operate hot or cold
- Fits one or two 18" x 26" sheet pans
- Blends in w/ BG food shields*
- Stainless Steel
- 1 1/4" Square Stainless Steel Tubing
- Glass shelf
- Optional adjustable front glass for self/full service

*BG/BGA Food Guards required for overshelf units



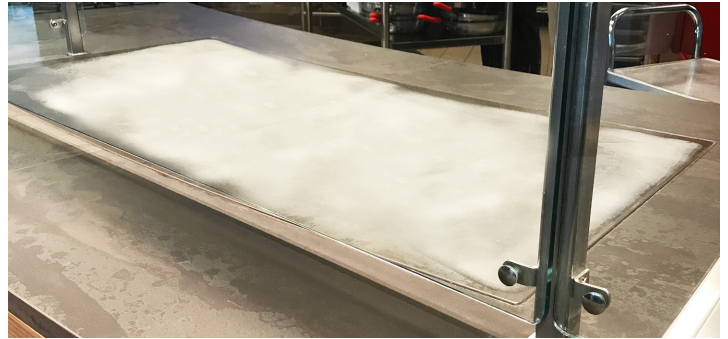
5 HotFrost Recessed Drop-In



Ideal for buffets or serving systems with stone tops, where a clean consistent look is desired. 1.2cm Dekton, can hot or cold.

6 HotFrost Flush Stone

Ideal for buffets or serving systems with stone tops, where a clean consistent look is desired. 1.2cm Dekton, can hot or cold.



7 HotFrost Dual Tier Merchandiser

Ideal for high-volume operations that require frequent replenishment of product.



- Dual-sided
- SS Body/Shelves
- Switchable Hot/Cold each tier
- Independent self contained refrigeration
- Lights
- Heat Shields
- High Polished Edges
- Easy to use controls; individually controlled levels

8 BGA Food Guard



You want an upscale, one-of-a-kind highlight to your serving line. We've got custom-designed solutions just for you.